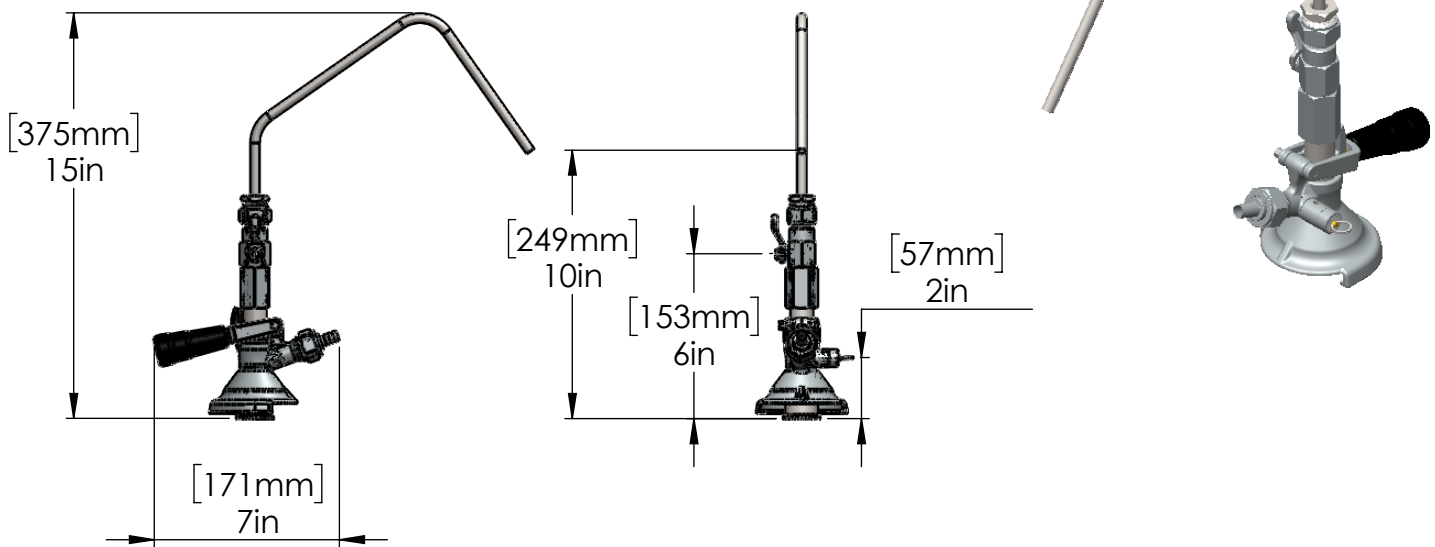


For Residential and Commercial Applications

Job Name _____
Job Location _____
Engineer _____
Approval _____

Contractor _____
Approval _____
Contractor's P.O. No. _____
Representative _____

Series Laboratory Dispense Head A System C5005



Features & Benefits:

- Pour out small beer samples with the attached laboratory dispense head.
- Brass coupler body with Stainless steel probe.
- Perfect for A system keg.
- Push down to open type ergonomic handle.

Material: Lead free Brass

Warranty: Two year (Limited)

Specifications:

- Body Material Brass
- Probe Material Stainless Steel 304
- Probe Thread 5/8" BSP
- PRV - Pressure Release Valve With PRV
- Type A System

NOTICE

The information contained herein is not intended to replace the full product installation and safety information available or the experience of a trained product installer. You are required to thoroughly read all installation instructions and product safety information before beginning the installation of this product.



US & Canada :- +1-678 666 2001

Krome product Specifications in U.S. customary units and metric are approximate and are provided for reference only. For precise measurements, please contact Krome Technical Service. Krome reserves the right to change or modify product design, construction, specifications, or materials without prior notice and without incurring any obligation to make such changes and modifications on Krome products previously or subsequently sold. For most updated specification sheet, go to