

Beer Tower
Ink Pen Tower with 4 Flow Control Taps &
Illumination- SS Polished - Glycol
Recirculation Loop+

C877

- Four Flow Control Tap
- Made of High Quality Stainless Steel for Durability & Reliability
- Stainless Steel Glycol Recirculation Loop+ Tube for Optimum Cooling Transfer
- Modern Look with Polished Stainless Steel Finish
- Take your pouring to bold new heights
- Precision Flow Control Taps Included



C877

SS Polished



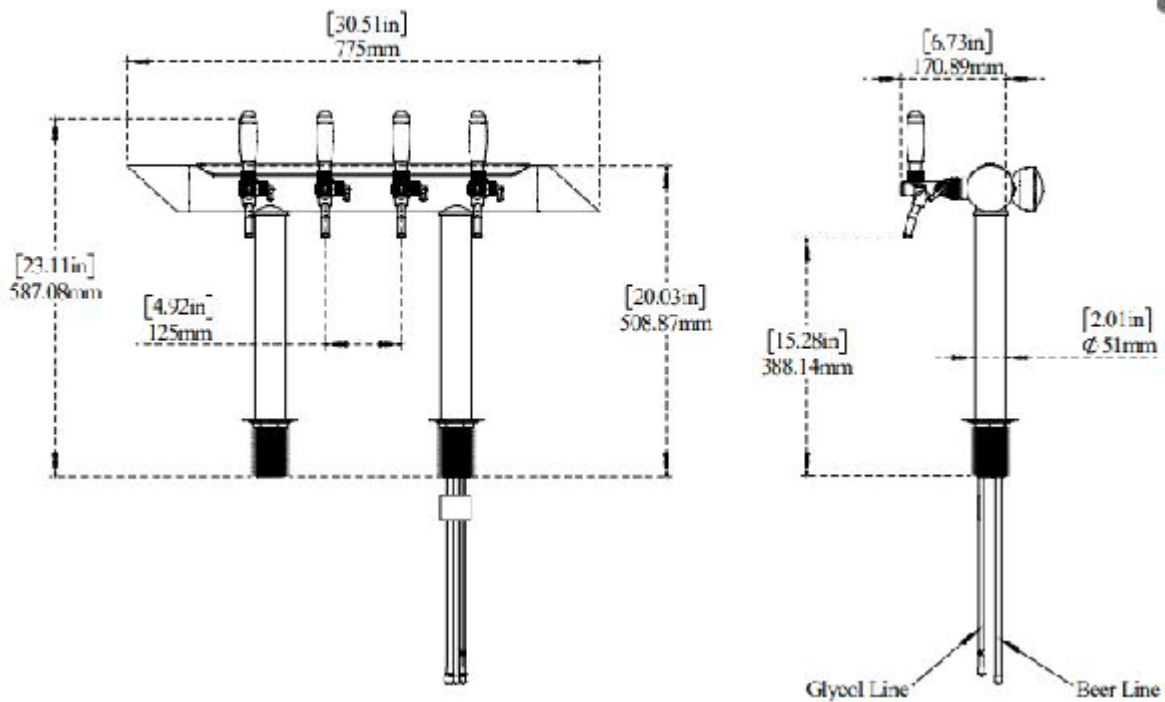
US & Canada :- +1-678 666 2001
Asia:- +91-9814203010

Krome Dispense reserves the right to make revisions to product specifications without any notice
For most updated specification sheet , go to www.kromedispense.com

Specifications:-

- Number of Faucets 4
- Body Material Stainless Steel 304
- Finish Polished Stainless
- Mounting System Through Counter
- Illumination Illuminated
- Cooling Technology Glycol Recirculation Loop Plus
- Beer Line Tubing 8 OD x 7 ID SS 304 Tube(mm)
- Spout Material SS 304

Product Dimensions:-



Option Available:

Part No.	Product Name	Finish
C880	Ink pen tower with ss spout	Polished Copper
C1482	Ink pen tower with ss spout	SS Brushed
C1483	Ink pen tower with ss spout	Brushed copper
C1484	Ink pen tower with ss spout	PVD Gold

US & Canada :- +1-678 666 2001
 Asia:- +91-9814203010

Krome Dispense reserves the right to make revisions to product specifications without any notice
 For most updated specification sheet , go to www.kromedispense.com

Krome
 dispense