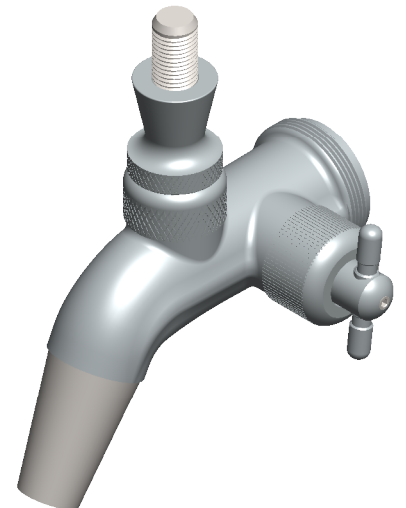
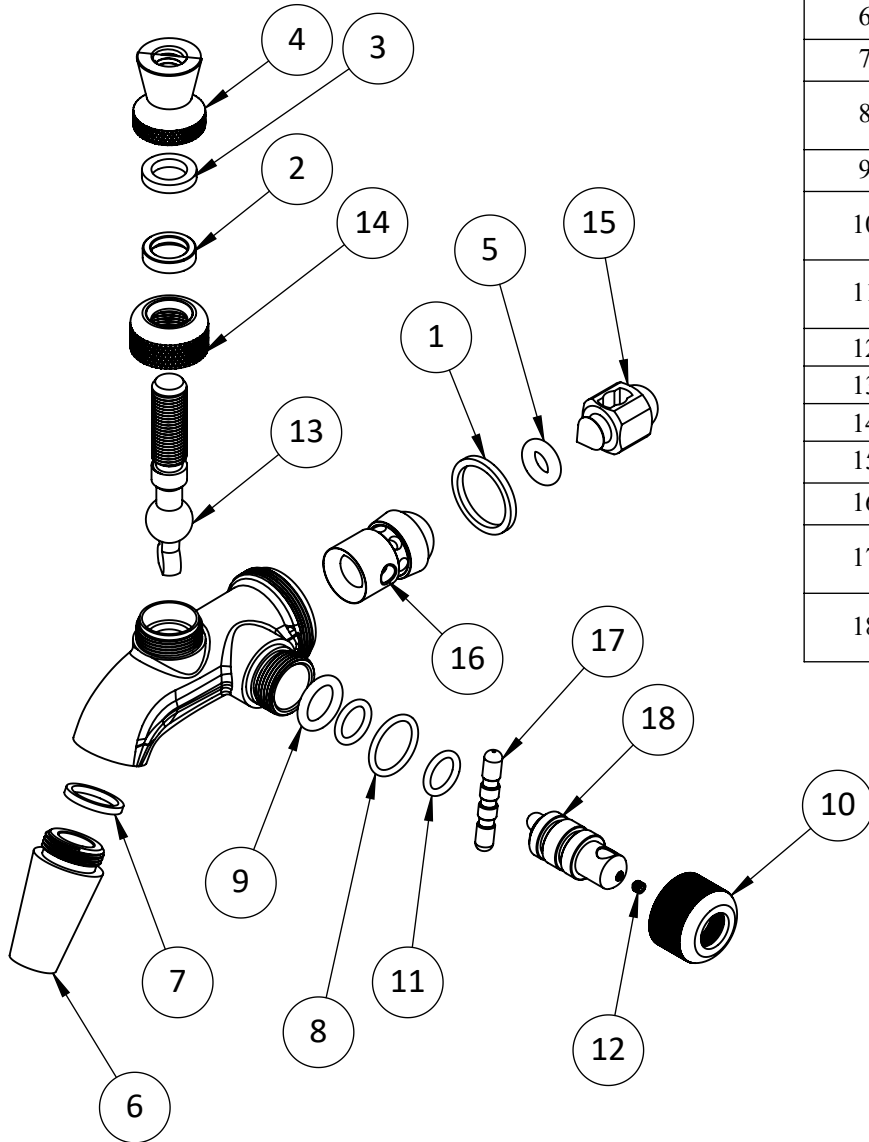


Forward Sealing Flow Control Tap – Stainless Steel

ItemNo.	Part No.	Part Name	Qty
1	C201.07	COUPLING GASKET	1
2	C201.06	Teflon Washer	1
3	C201.05	Lever Friction Rubber Washer	1
4	C201.03	Collar Nut	1
5	C3024.03	Seat O-Ring for Intertap	1
6	C3024.04	Intertap Spout SS	1
7	C3023.04	Intertap Spout Washer	1
8	C254.27	European Flow Control O-Ring	1
9	C970.02	Tank Plug O-Ring	1
10	C254.20	European Tap Flow Restrictor Bonnet	1
11	C254.26	European tap Restrictor O-Ring	2
12	C294.04	GRUB SCREW	1
13	C230	US Lever	1
14	C201.04	BONNET	1
15	C3023.03	Intertap Shaft - FC	1
16	C3023.02	Intertap Compensator	1
17	C294.03	European Tap Restrictor Lever	1
18	C294.02	Flow Restrictor Spindle For European Tap	1



Revision # 1 - Copyright © 2017 Krome Dispense. All Rights Reserved

US & Canada :- +1-678 666 2001

Asia:- +91-9814203010

Krome Dispense reserves the right to make revisions to product specifications without any notice

For most updated specification sheet , go to www.kromedispense.com