

**NATURE 135**



**NATURE SERIES**

**R290**

*New Refrigerant  
MORE COOLING  
LESS ENERGY*



Revision # 01 --

**Under-Counter Pre-Mix Cooler**

Product Features

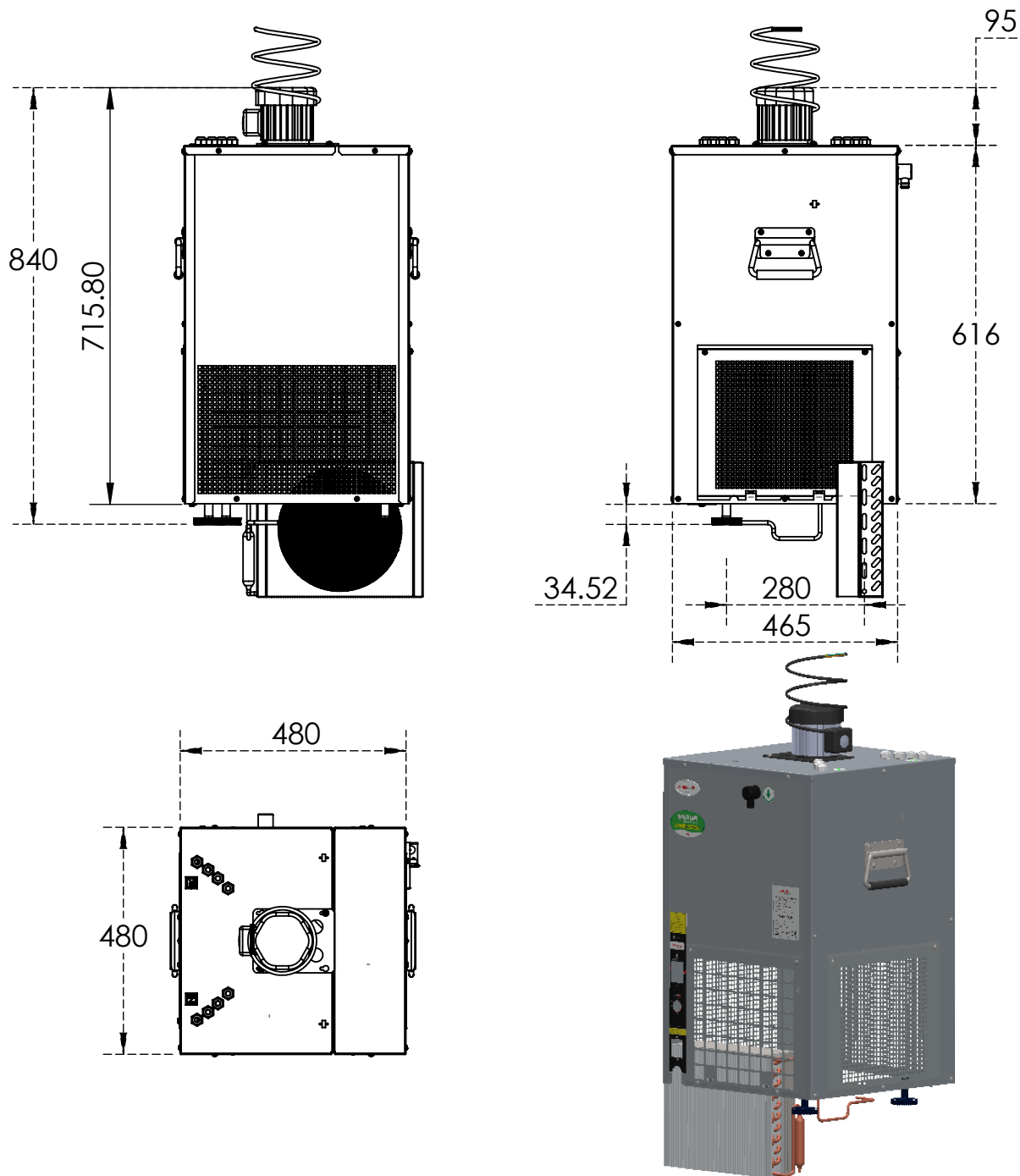
- Upgradeable 1 to 8 beer lines.
- Compressor 1/3 HP
- 22mm thick insulation.
- Black Powder Coated steel Body
- Cooling capacity 135 ltr/hr at 22 °C to 4 °C
- Environment friendly gas R290 refrigerant causes less harm to mother nature
- Stainless Steel base that has anti rust properties
- Base have little height due to pad stand, Prevents it from floor water contact
- Technical maintenance makes very easy with special opening from every side
- SS304 beer coils with 8mm OD and 7mm ID

Product Specifications

Power in HP	1/3 HP
Output in ltr/hr	135 l/h
Minimum Temperature of Beverage	4-6 °C
No. of cooled coils and beverages	1-8
Power Supply	230V/50Hz
Amperage	4A
Power Input	895W
Ice Bank	20-25 Kg
Capacity of water tank	50 L
Weight	50 Kg
Cabin Dimensions ( mm )	480 x 480 x 712
Beverage Temperature IN/OUT	24 °C to 4 °C

Copyright © 2017 Krome Dispense. All Rights Reserved

## Product Dimensions:-



## Options Available :-

Part no.	No. of Beer Coils
C1672	Without Coil
C1672X2	2
C1672X4	4
C1672X6	6
C1672X8	8

Note: Amperage and voltage value can be fixed according to there respective countries

US & Canada :- +1-678 666 2001

Asia:- +91-9814203010

Krome Dispense reserves the right to make revisions to product specifications without any notice

For most updated specification sheet , go to [www.kromedispense.com](http://www.kromedispense.com)

**Krome**  
dispense