

## NATURE 115



## NATURE SERIES

# R290

*New Refrigerant*  
**MORE COOLING**  
**LESS ENERGY**



Revision # 01 --

Copyright © 2017 Krome Dispense. All Rights Reserved

### Product Specifications

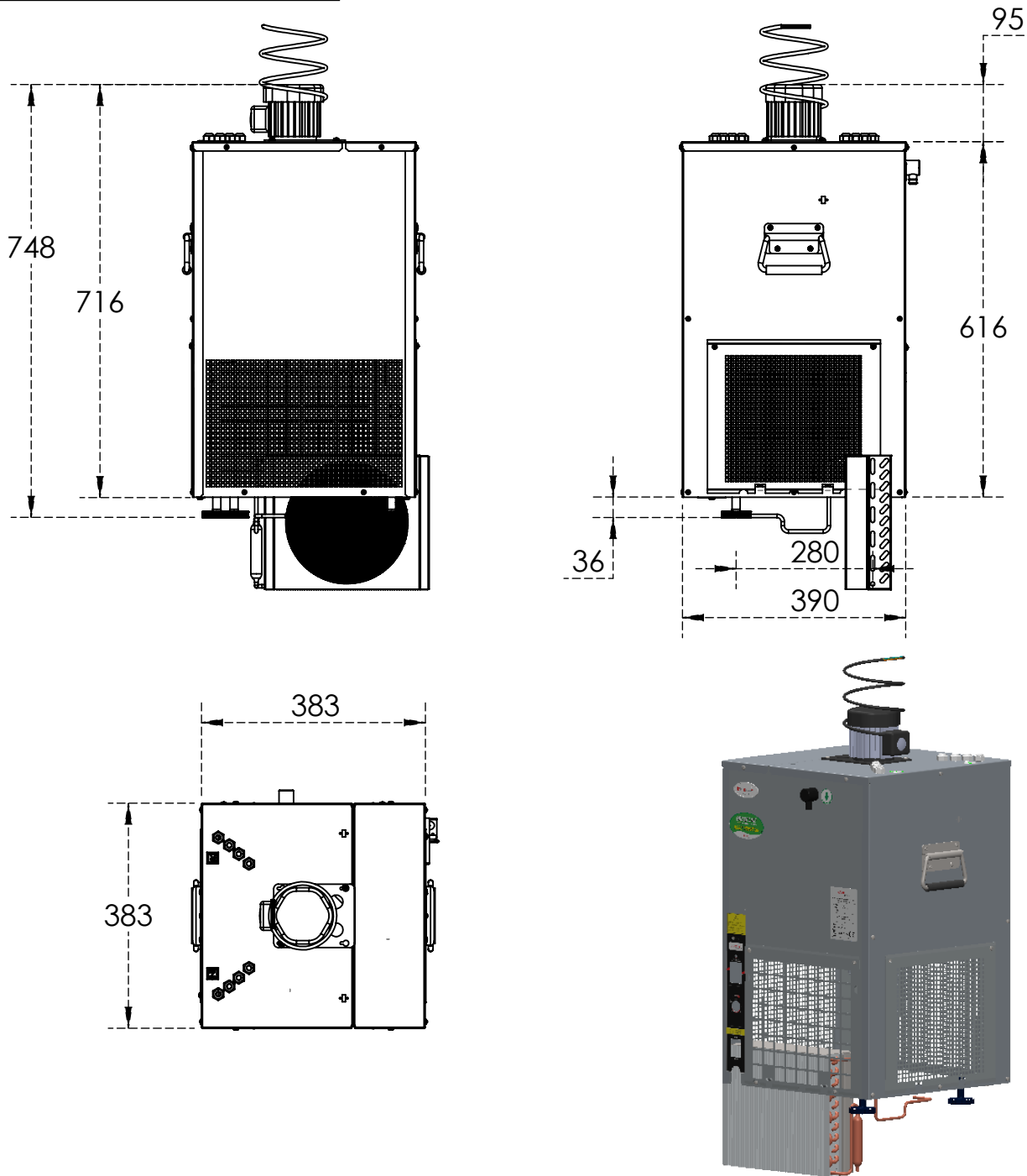
Power in HP	1/3 HP
Output in ltr/hr	115 l/h
Minimum Temperature of Beverage	4-6 °C
No. of cooled coils and beverages	1-4
Power Supply	230V/50Hz
Amperage	2.6A
Power Input	660W
Ice Bank	10-20 Kg
Capacity of water tank	36 L
Weight	32 Kg
Cabin Dimensions ( mm )	383 x 383 x 620
Beverage Temperature IN/OUT	24 °C to 4 °C

### Under-Counter Pre-Mix Cooler

#### Product Features

- Upgradeable 1 to 4 beer lines.
- Compressor 1/3 HP
- 22mm thick insulation.
- Black Powder Coated Steel Body
- Cooling capacity 115 ltr/hr at 22 °C to 4 °C
- Environment friendly gas R290 refrigerant causes less harm to mother nature
- Stainless Steel base that has anti rust properties
- Base have little height due to pad stand, Prevents it from floor water contact
- Technical maintenance makes very easy with special opening from every side
- SS304 beer coils with 8mm OD and 7mm ID

## Product Dimensions:-



## Options Available :-

Part no.	No. of Beer Coils
C1572	Without Coil
C1572X2	2
C1572X3	3
C1572X4	4

Note: Amperage and voltage value can be fixed according to there respective countries