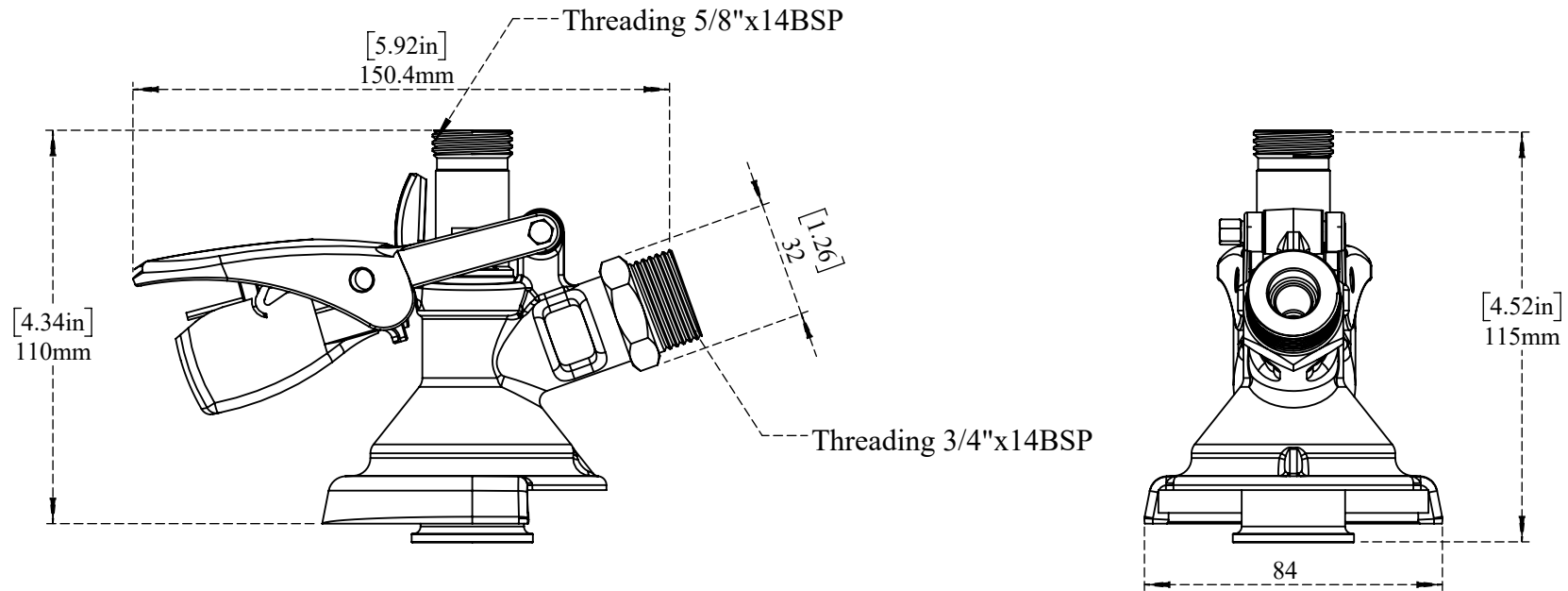


PART NO.-

C716 Line

TITLE- A System Keg Coupler with Gas Inlet Thread 3/4" Line  
Dwg



All dimensions are in inches, mm (in bracket)



Note:- Information provided for reference only.

\* This document and the information thereon is the property of Krome Dispense Pvt Ltd. & its subsidiaries. Any reproduction in part or as a whole without the written permission of Krome Dispense Pvt Ltd. is prohibited.