

Features & Benefits:

- 100% Food Safe Contact with Beer
- Constructed with Strong & Durable Material to last a lifetime
- Adjustable flow control lever allows pouring of highly-pressurized beer with less foam.
- With Compensator, ABS Spout and Handle(Black ABS)
- Shank Length 55mm & Bore ID 7mm

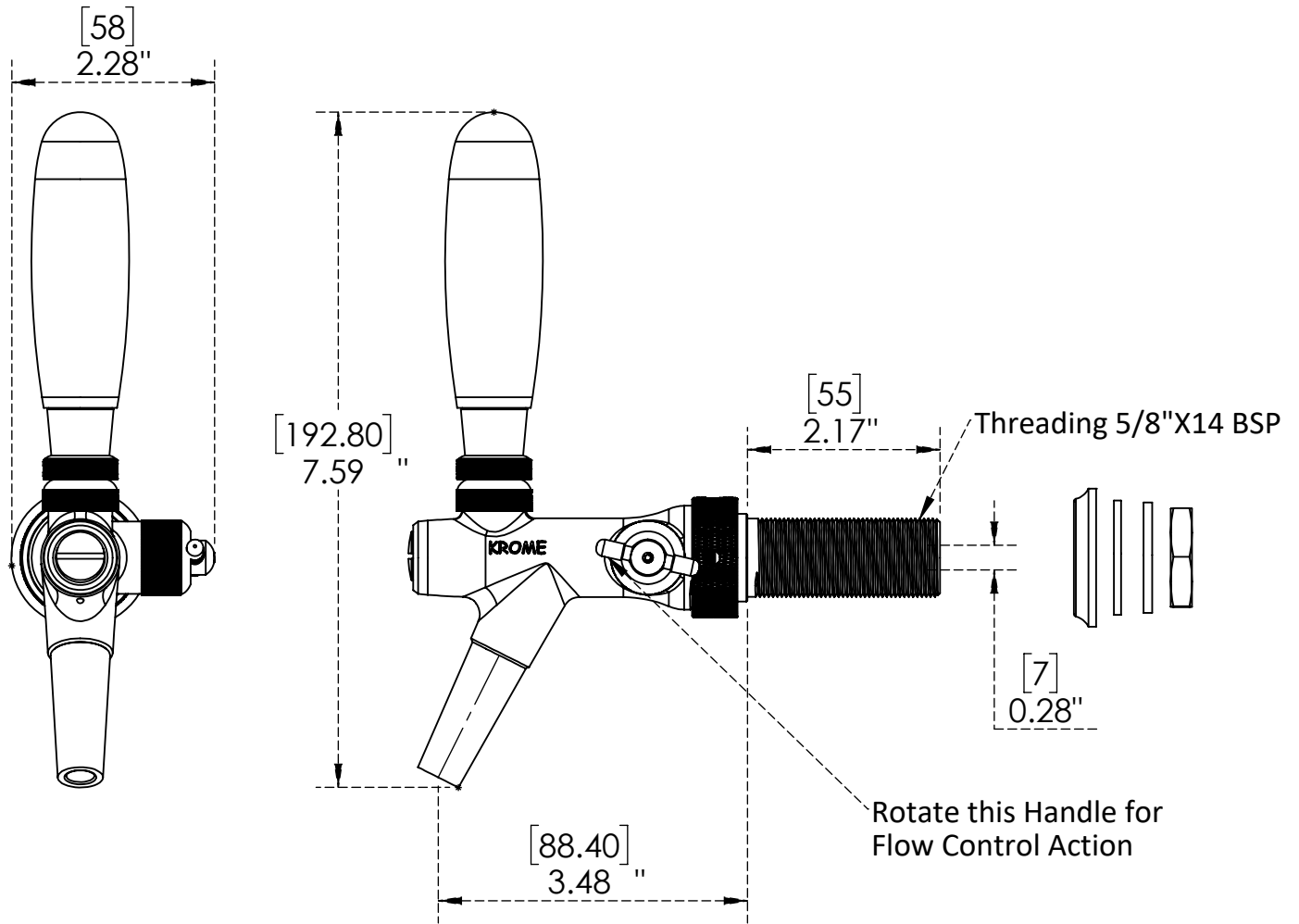


C3016

Polished Chrome

Warranty: One Year (Limited)

Product Dimensions:-



Options Available

Part No.	Shank Length	Bore ID	Material	Finish
C3028	55mm	10mm	SS 304	SS Polished
C3033	55mm	10mm	SS 304	PVD
C3022	55mm	7mm	SS 304	PVD

US & Canada :- +1-678 666 2001

Asia:- +91-9814203010

Krome Dispense reserves the right to make revisions to product specifications without any notice

For most updated specification sheet , go to www.kromedispense.com

