

Features & Benefits:

- 100% Food Safe Contact with Beer
- Constructed with Strong & Durable Material to last a lifetime
- Adjustable flow control lever allows pouring of highly-pressurized beer with less foam.
- With Compensator, SS (Threaded) Spout and Handle(Black ABS)
- Shank Length 35mm & Bore ID 10mm

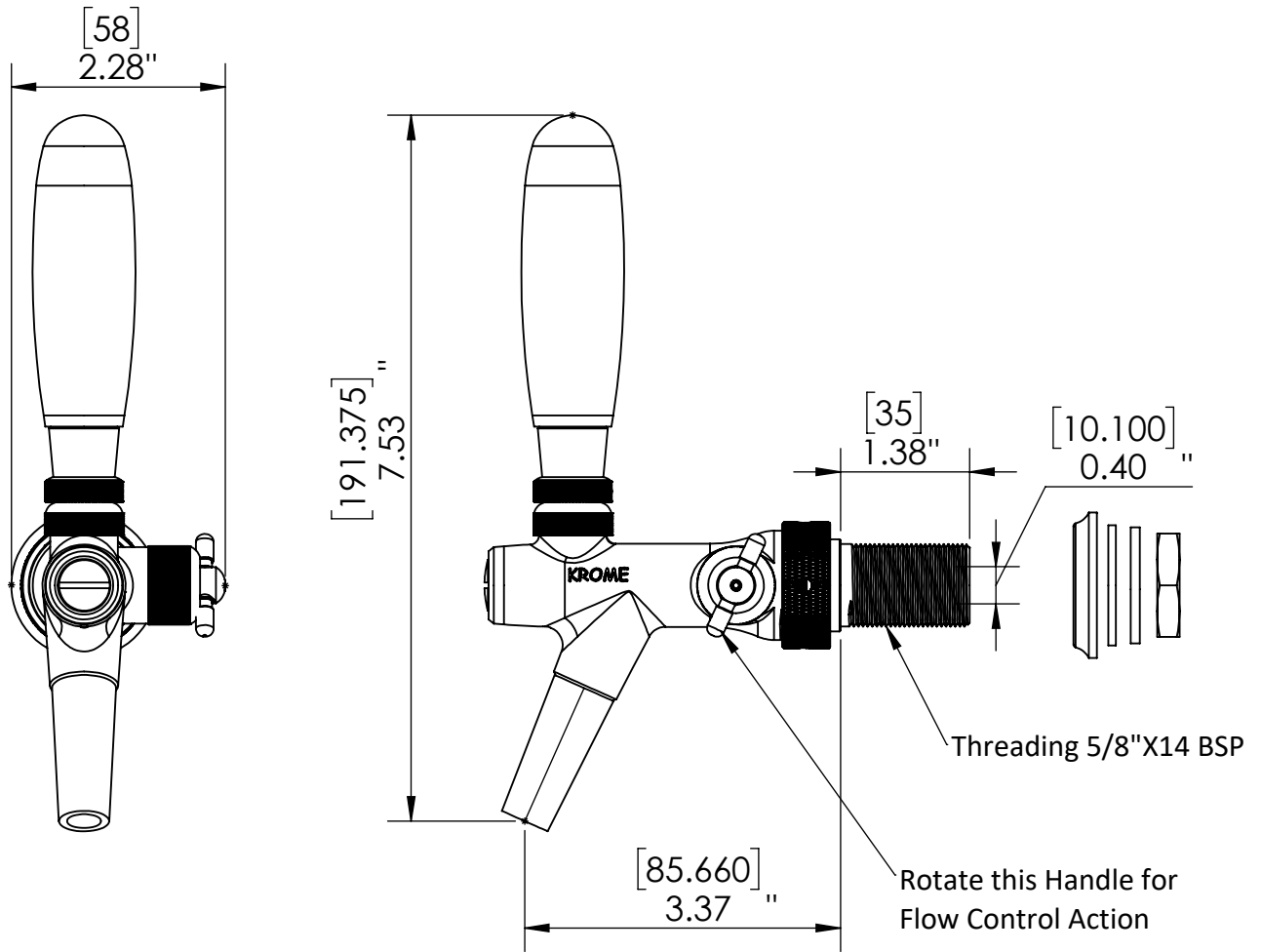


C278

SS Polished

Warranty: One Year (Limited)

Product Dimensions:



Option Available:

Part No.	Shank Length	Bore ID	Material	Finish
C254	35mm	10mm	Brass	PVD
C654	35mm	10mm	Brass	PVD
C294	35mm	10mm	SS 304	SS Polished
C458	35mm	10mm	SS 304	PVD
C754	35mm	10mm	SS 304	PVD

US & Canada :- +1-678 666 2001

Asia:- +91-9814203010

Krome Dispense reserves the right to make revisions to product specifications without any notice

For most updated specification sheet , go to www.kromedispense.com

