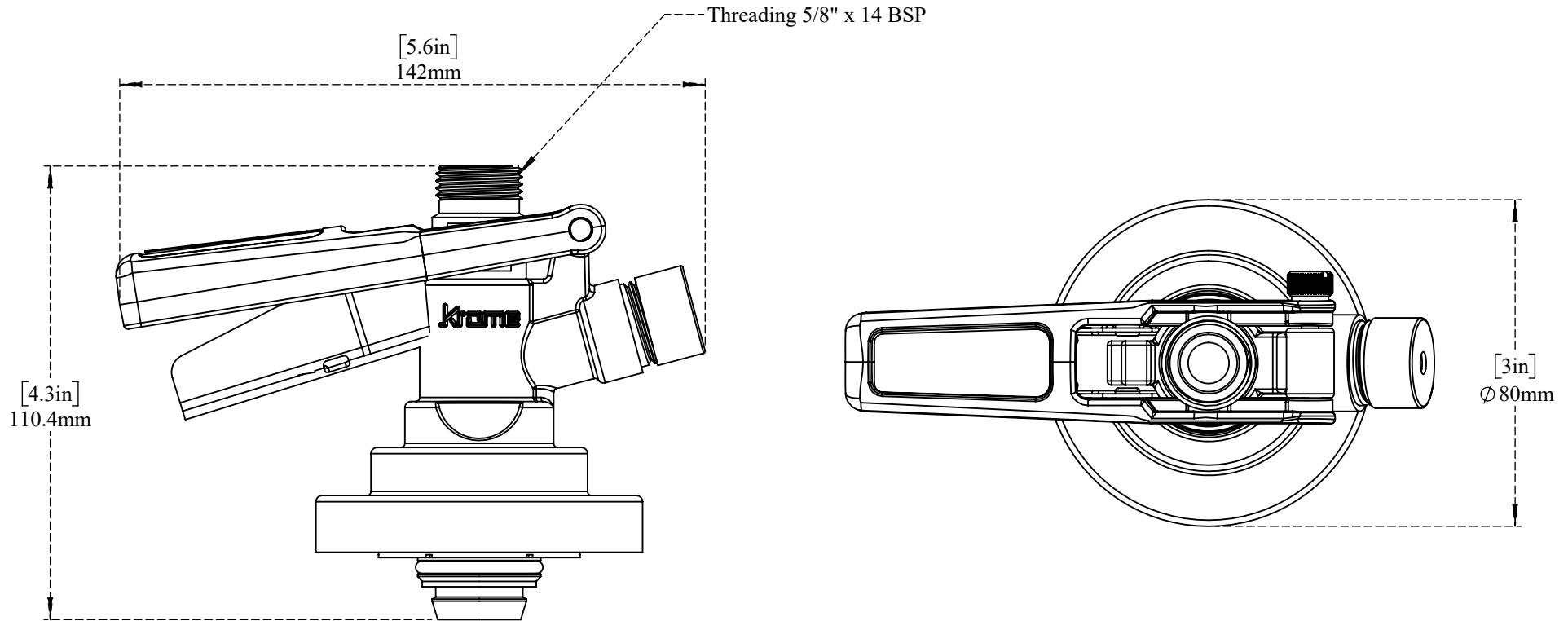


PART NO.-

C840

TITLE-



Note:- Information provided for reference only.

* This document and the information thereon is the property of Krome Dispense Pvt Ltd. & its subsidiaries. Any reproduction in part or as a whole without the written permission of Krome Dispense Pvt Ltd. is prohibited.

All dimensions are in inches, mm (in bracket)