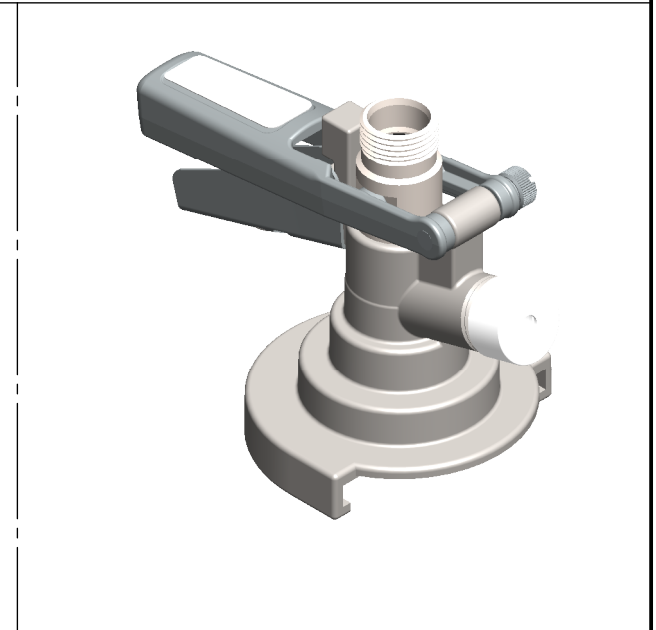
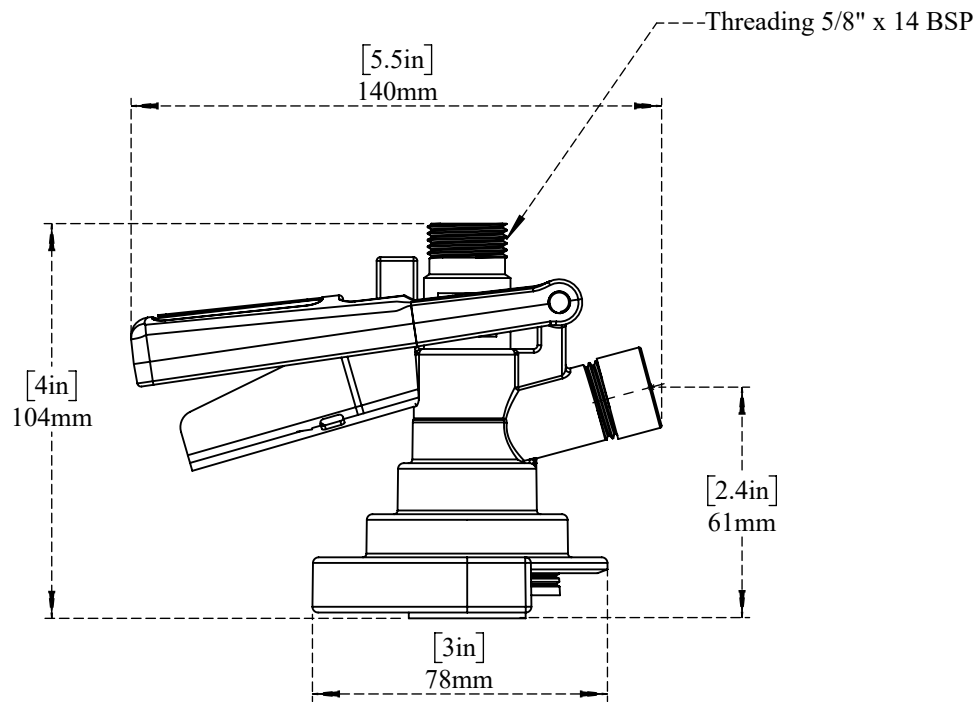


PART NO.-

C4997 Line Drawing

TITLE-

A System UK style Keg Coupler without PRV - 1/2" Thread



All dimensions are in inches, mm (in bracket)



Note:- Information provided for reference only.

\* This document and the information thereon is the property of Krome Dispense Pvt Ltd. & its subsidiaries. Any reproduction in part or as a whole without the written permission of Krome Dispense Pvt Ltd. is prohibited.