

NATURE 115



NATURE SERIES

R 290

*New Refrigerant
MORE COOLING
LESS ENERGY*



Revision # 01 - -KS20/09/2017

Copyright © 2017 Krome Dispense. All Rights Reserved

Product Specifications

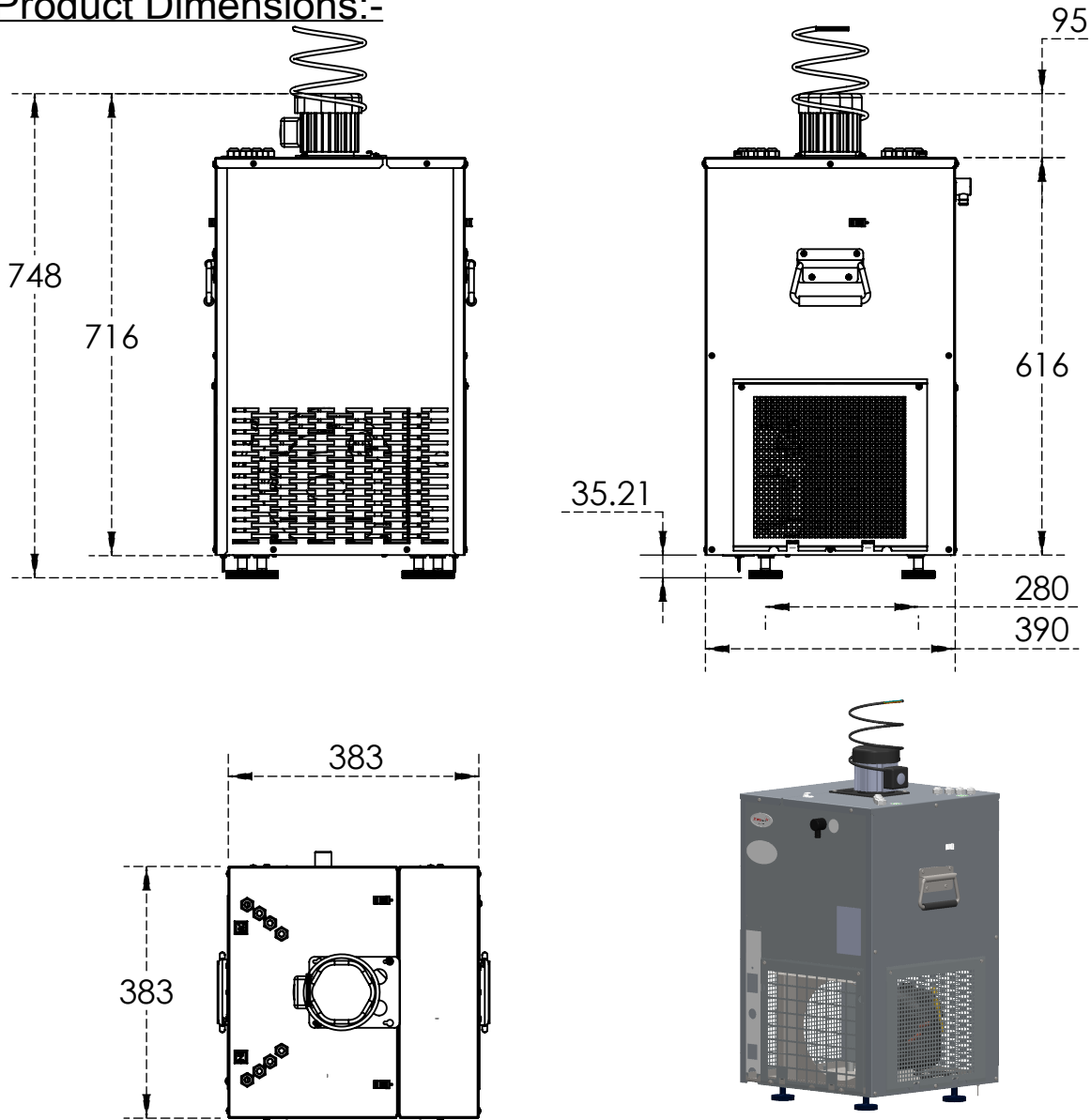
Power in HP	1/3 HP
Output in ltr/hr	115 l/h
Minimum Temperature of Beverage	4-6 °C
No. of cooled coils and beverages	1-4
Power Supply	230V/50Hz
Amperage	2.6A
Power Input	600W
Ice Bank	15 Kg
Capacity of water tank	36 L
Weight	35 Kg
Cabin Dimensions (mm)	383 x 383 x 620
Beverage Temperature IN/OUT	24 °C to 4 °C

Under-Counter Pre-Mix Cooler

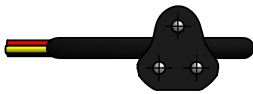
Product Features

- Upgradeable 1 to 4 beer lines.
- Compressor 1/3 HP
- 22mm thick insulation.
- Brushed Stainless Finish - 430 Grade
- Cooling capacity 115 ltr/hr at 22 °C to 4 °C
- Environment friendly gas R290 refrigerant causes less harm to mother nature
- Stainless Steel base that has anti rust properties
- Base have little height due to pad stand, Prevents it from floor water contact
- Technical maintenance makes very easy with special opening from every side
- SS304 beer coils with 8mm OD and 7mm ID

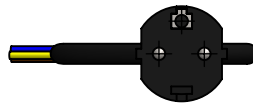
Product Dimensions:-



SOCKET OPTIONS



Power Cord -16A (Indian Plug)



EU Power Plug Black With Connectors

Options Available :-

TROPICAL SERIES

Part No.	No. of Beer Line	Body Material
C1572	Without Coil	Stainless Steel
C1572X2	2	Stainless Steel
C1572X3	3	Stainless Steel
C1572X4	4	Stainless Steel

ECOLINE SERIES

Part No.	No. of Beer Line	Body Material
C1572-EL	Without Coil	Powder Coated Steel
C1572-ELX2	2	Powder Coated Steel
C1572-ELX3	3	Powder Coated Steel
C1572-ELX4	4	Powder Coated Steel

Note: Amperage and voltage value can be fixed according to there respective countries

US & Canada :- +1-678 666 2001

Asia:- +91-9814203010

Krome Dispense reserves the right to make revisions to product specifications without any notice

For most updated specification sheet , go to www.kromedispense.com

Krome
dispense