

- Made of High Quality Stainless Steel for Durability & Reliability
- 100% Stainless Steel Contact with Beer to Serve Better Tasting
- Modern Look with Brushed Stainless Finish
- Take your pouring to bold new heights
- Precision Flow Control Taps Included
- 220 V Transformer included



C1007

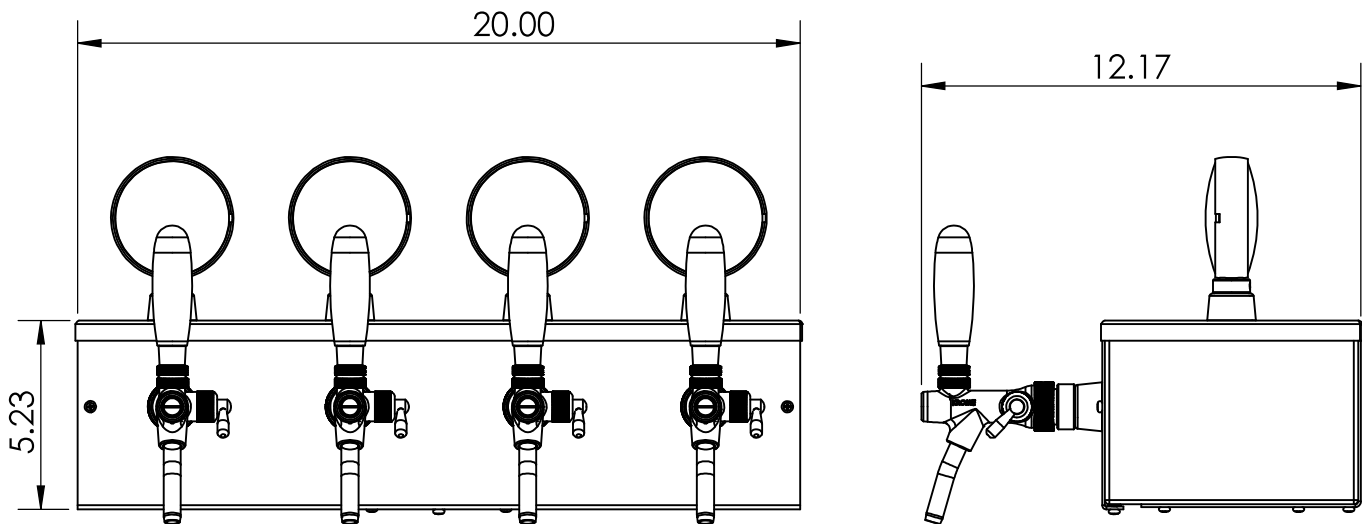
Brushed Stainless



Specification

Part No	No. of Faucets	Finish	Cooling System
C1007	4	Brushed Stainless	Glycol Recirculation Loop
C1018	6	Brushed Stainless	Glycol Recirculation Loop

Product Dimensions:-



Revision # 1 - -

Copyright © 2017 Krome Dispense. All Rights Reserved

US & Canada :- +1-678 666 2001

Asia:- +91-9814203010

Krome Dispense reserves the right to make revisions to product specifications without any notice
For most updated specification sheet , go to www.kromedispense.com

