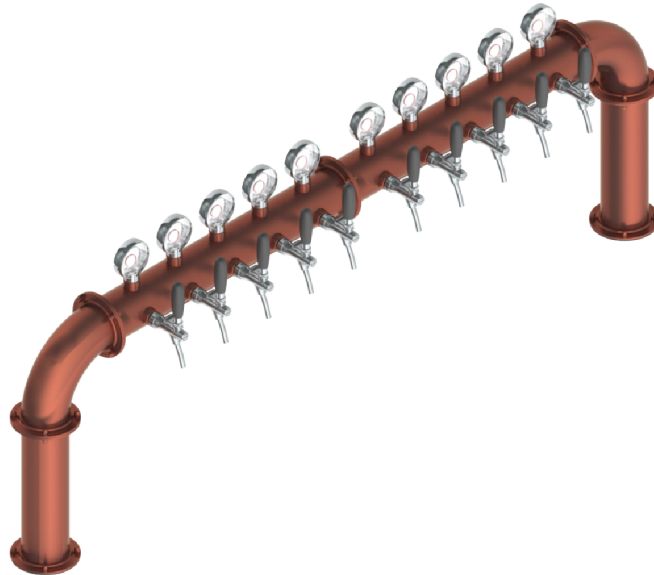


Features & Benefits:

- Made of High Quality Stainless Steel for Durability & Reliability
- 100% Stainless Steel Contact with Beer to Serve Better Tasting
- Stainless Steel Glycol Recirculation Loop+ Tube for Optimum Cooling Transfer
- Modern Look with Brushed Copper Finish
- Precision Flow Control Taps Included



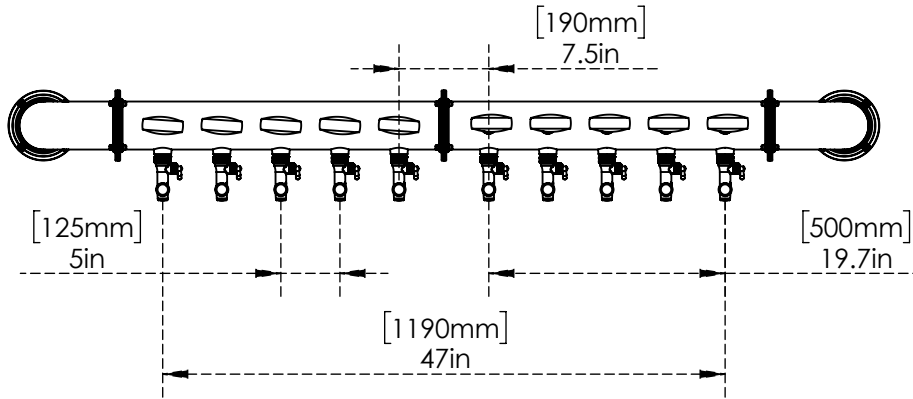
C936

Brushed Copper

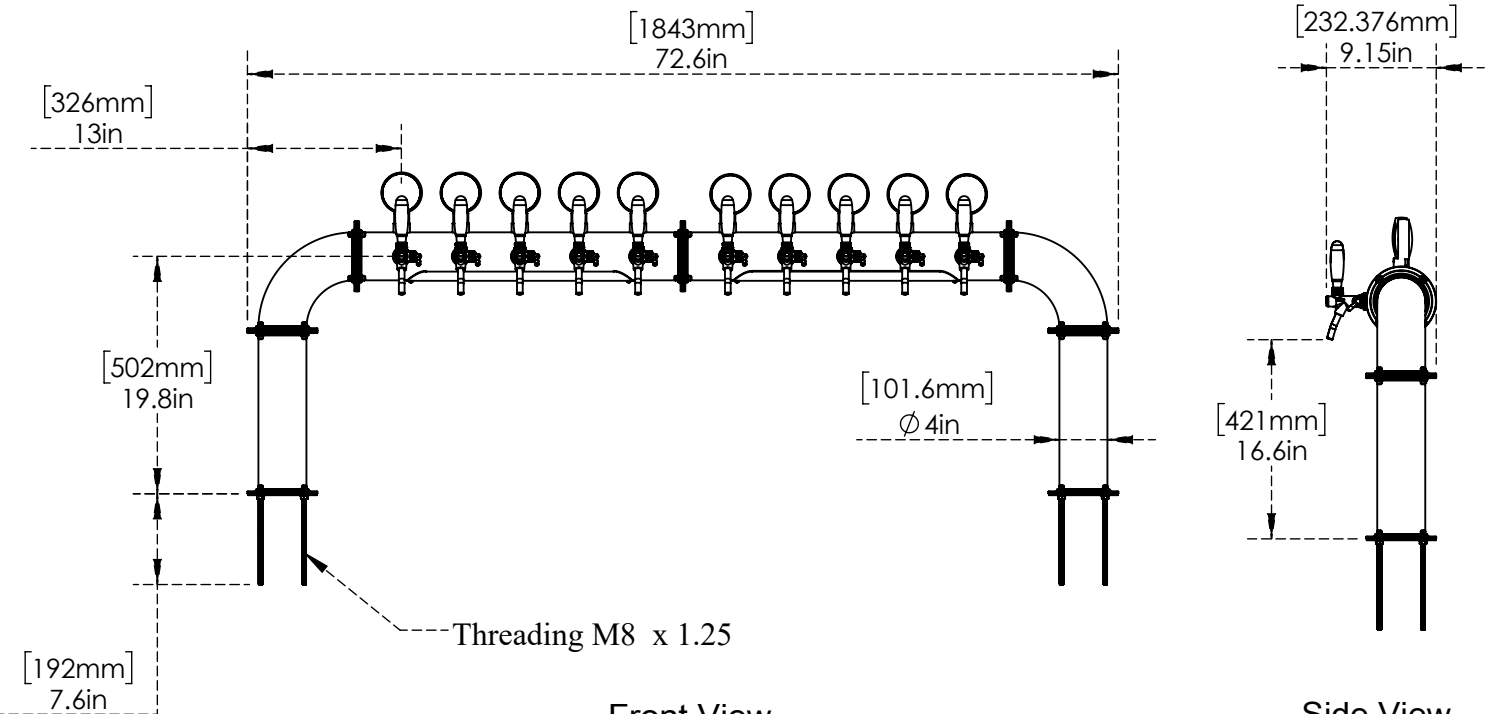
Specifications:-

Part No	Faucets	Finish	Cooling System	Illumination
C936	10	Brushed copper	Glycol Recirculation Loop+	Illuminated
C536	10	SS Polished	Glycol Recirculation Loop+	Illuminated
C939	10	Brushed Stainless	Glycol Recirculation Loop+	Illuminated

Product Dimensions:-



Top View



Front View

Side View

US & Canada :- +1-678 666 2001
Asia:- +91-9814203010

Krome Dispense reserves the right to make revisions to product specifications without any notice
For most updated specification sheet, go to www.kromedispense.com

