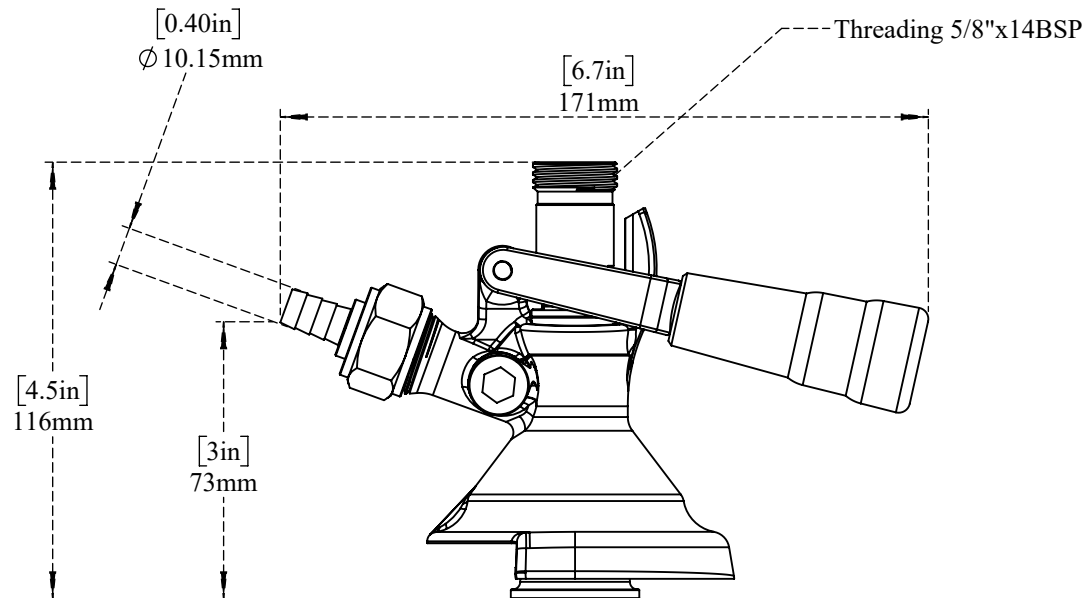
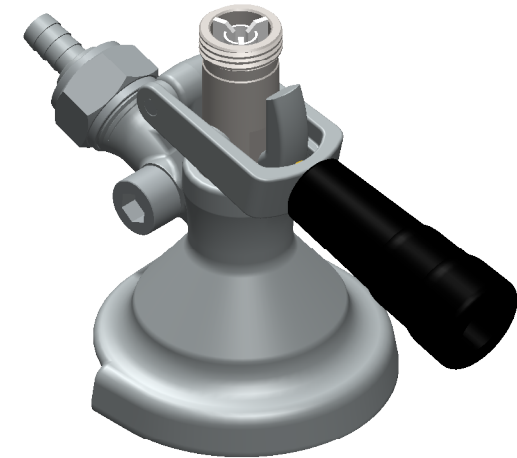
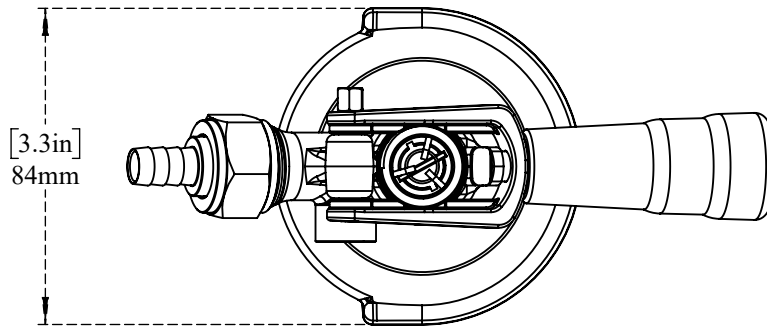


PART NO.-

C6013 Line drawing

TITLE-

A system Keg Coupler with Pull Handle (Without PRV)



Note:- Information provided for reference only.

\* This document and the information thereon is the property of Krome Dispense Pvt Ltd. & its subsidiaries. Any reproduction in part or as a whole without the written permission of Krome Dispense Pvt Ltd. is prohibited.