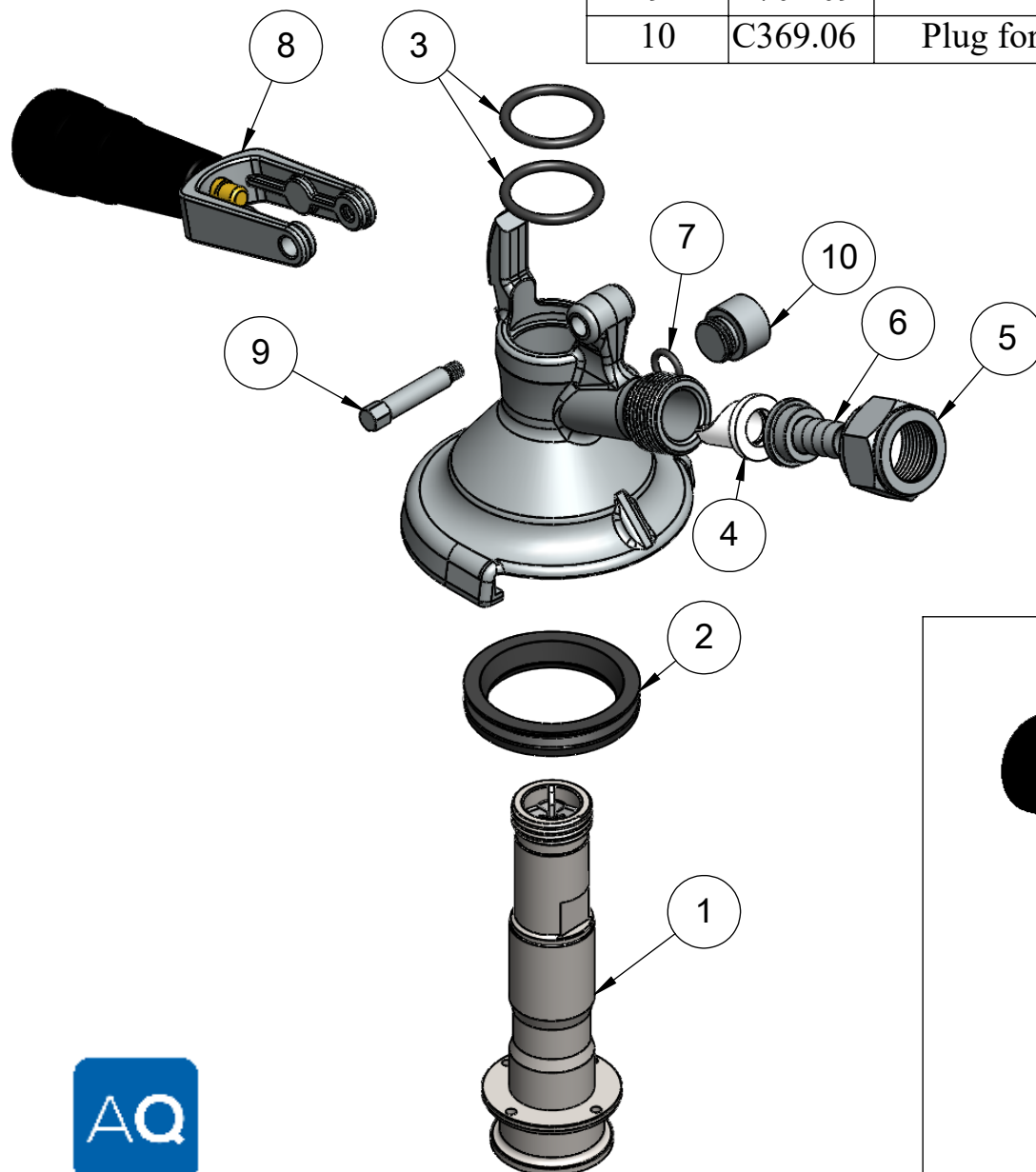


ItemNo.	Part No.	Part Name	Qty.
1	C716.50	A System Probe Sub-Assembly	1
2	C716.03	A System Shanky Bottom washer	1
3	C716.07	A System Body O-Ring	2
4	C704.08	Check Valve	1
5	C181	CHROME PLATED BRASS BEER HEX NUT	1
6	C103	Tailpiece 5/16"	1
7	C804.03	O-Ring for PRV Holder	1
8	C704.10	Short Handle	1
9	C704.09	Handle Hinge Pin	1
10	C369.06	Plug for A System Body	1

Revision # 01 - ...

Copyright © 2017 Krome Dispense. All Rights Reserved



US & Canada :- +1-678 666 2001
 Asia:- +91-9814203010

Krome Dispense reserves the right to make revisions to product specifications without any notice
 For most updated specification sheet , go to www.kromedispense.com