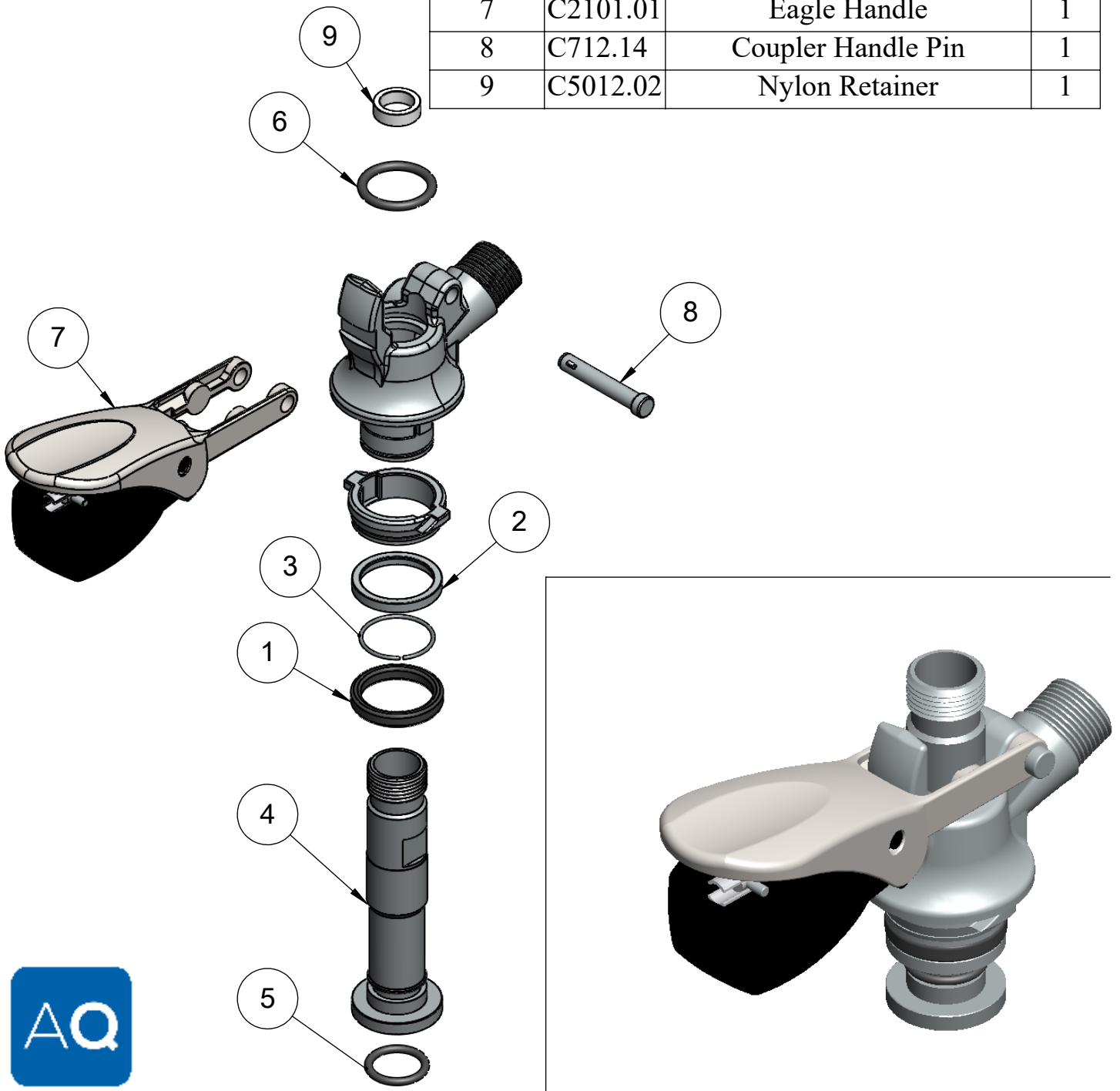


ItemNo.	Part No.	Part Name	Qty.
1	C712.03	Gasket For U System	1
2	C712.04	Retaining Ring For U System	1
3	C712.05	Circlip For U system	1
4	C712.50	U System Probe & Torpedo Sub-Assembly	1
5	C257.06	SLIDING CAP O-RING	1
6	C712.08	U-System Body O-RING	1
7	C2101.01	Eagle Handle	1
8	C712.14	Coupler Handle Pin	1
9	C5012.02	Nylon Retainer	1



Revision # 1 -

Copyright © 2017 Krome Dispense. All Rights Reserved



US & Canada :- +1-678 666 2001
 Asia:- +91-9814203010

Krome Dispense reserves the right to make revisions to product specifications without any notice
 For most updated specification sheet , go to www.kromedispense.com