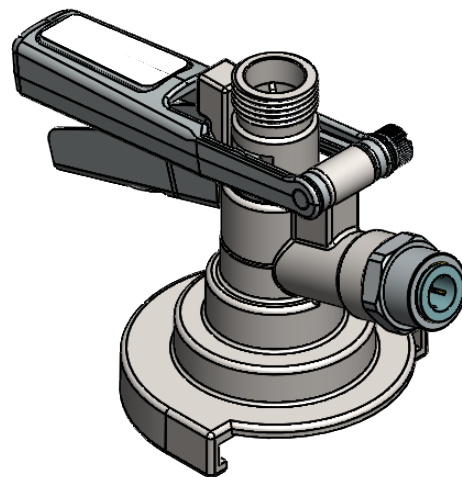
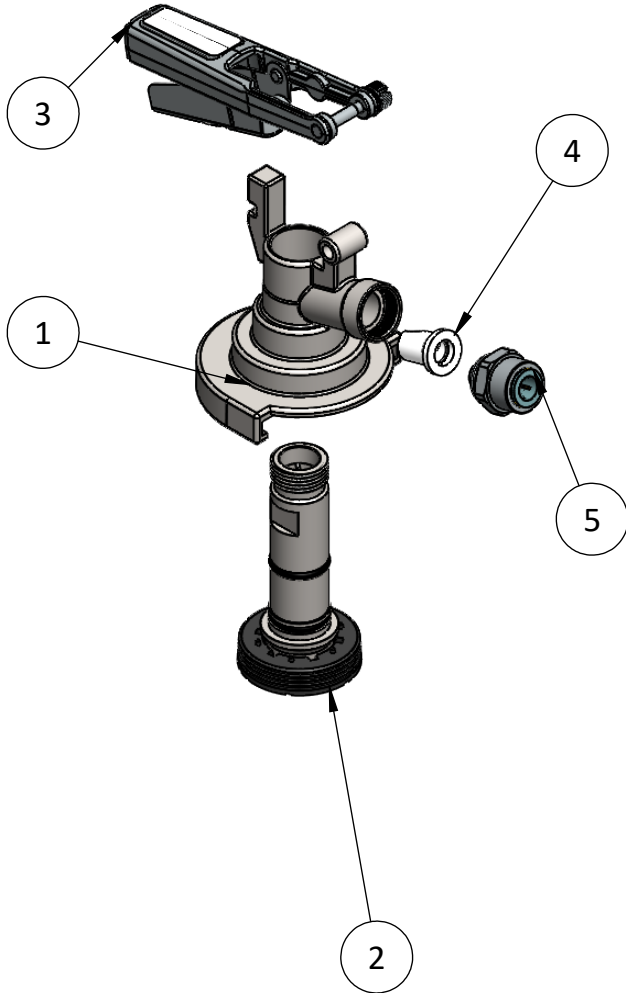


| ItemNo. | Part No. | Part Name | Qty. |
|---------|----------|---|------|
| 1 | C4998.01 | A System Keg Coupler Body With JG Fitting - Without PRV | 1 |
| 2 | C4998.50 | SS 304 probe for A System Keg Coupler Sub-assembly | 1 |
| 3 | C747.03 | Uk Coupler Handle | 1 |
| 4 | C704.08 | Check Valve | 1 |
| 5 | C4998.03 | 3/8" Push-in Fitting Adaptor For Coupler Sub-assembly | 1 |



Revision # - Copyright © 2017 Krome Dispense. All Rights Reserved