

Features & Benefits:

- Made of High Quality Brass for Durability & Reliability
- Color Coded Food Safe Tubings
- Modern Look with Polished Chrome Finish
- Take your pouring to bold new heights
- Precision Flow Control Taps Included
- 220 V Transformer included

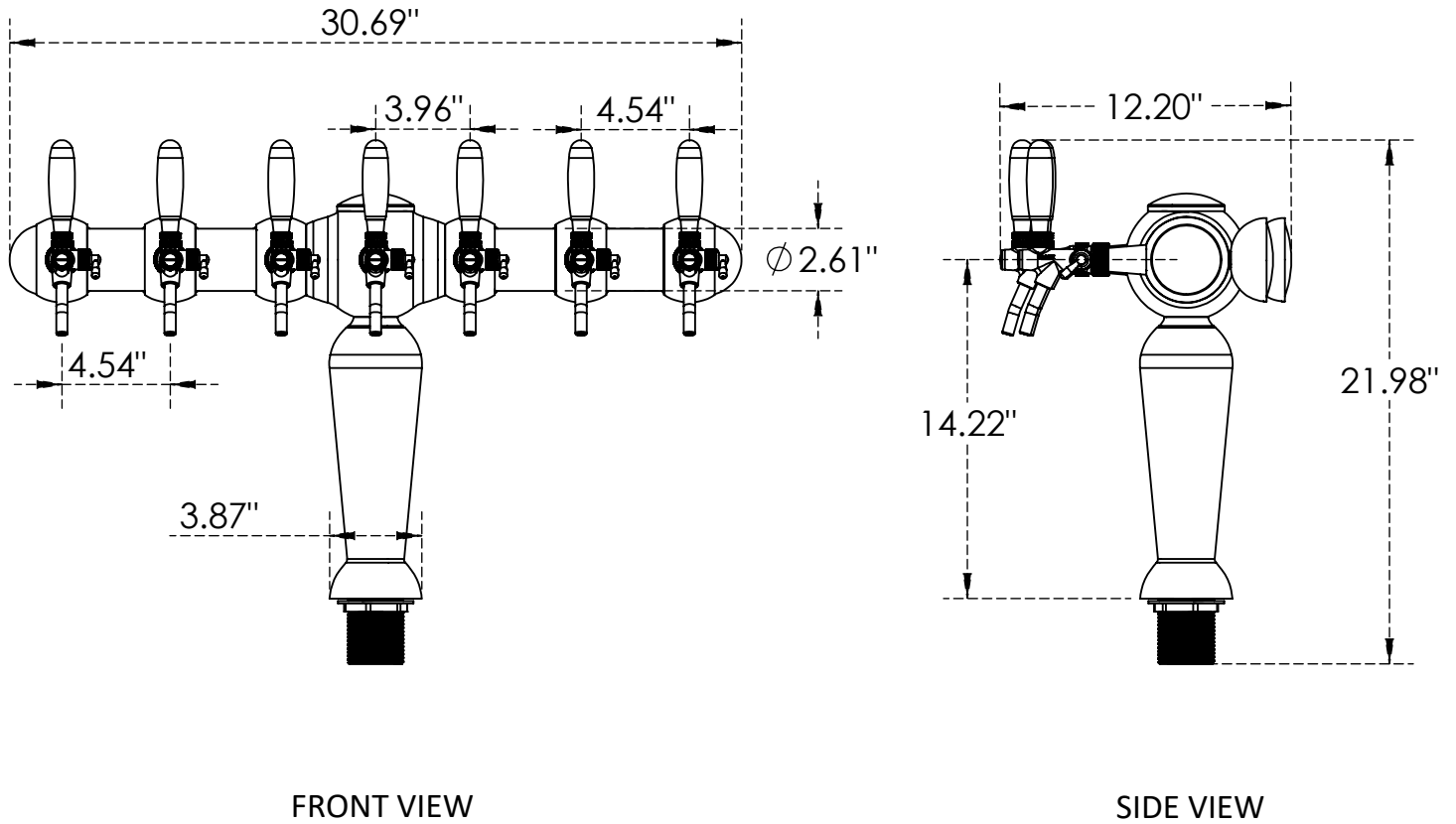


C1551

Polished Chrome

Warranty: Two Years (Limited)

Product Dimensions:-



FRONT VIEW

SIDE VIEW

Options Available

Part No.	No. of Faucets	Finish	Cooling System
C1544	1	Polished Chrome	Glycol Recirculation Loop
C1517	2	Polished Chrome	Glycol Recirculation Loop
C1534	3	Polished Chrome	Glycol Recirculation Loop
C1548	3	Polished Chrome	Glycol Recirculation Loop
C1538	4	Polished Chrome	Glycol Recirculation Loop
C1535	5	Polished Chrome	Air Cooled
C1549	5	Polished Chrome	Glycol Recirculation Loop
C1551	7	Polished Chrome	Glycol Recirculation Loop

US & Canada :- +1-678 666 2001

Asia:- +91-9814203010

Krome Dispense reserves the right to make revisions to product specifications without any notice

For most updated specification sheet , go to www.kromedispense.com

