

Beer Towers
Inspire Tower with 1 Flow Control Tap & Illumination -
Glycol Recirculation Loop+
C1546

- Made of High Quality Brass for Durability & Reliability
- Color Coded Food Safe Tubings
- Modern Look with Vibrant Gold Finish
- Take your pouring to bold new heights
- Precision Flow Control Taps Included
- 220 V Transformer included



C1546

PVD Gold



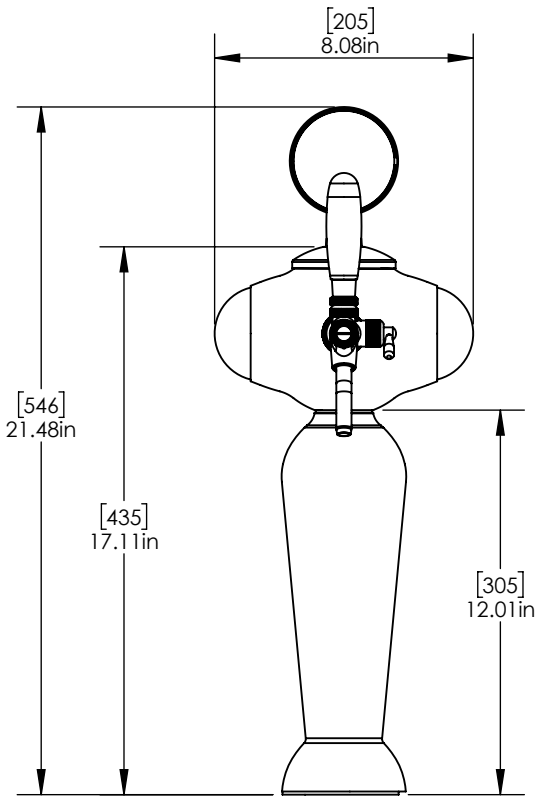
US & Canada :- +1-678 666 2001
Asia:- +91-9814203010

Krome Dispense reserves the right to make revisions to product specifications without any notice
For most updated specification sheet , go to www.kromedispense.com

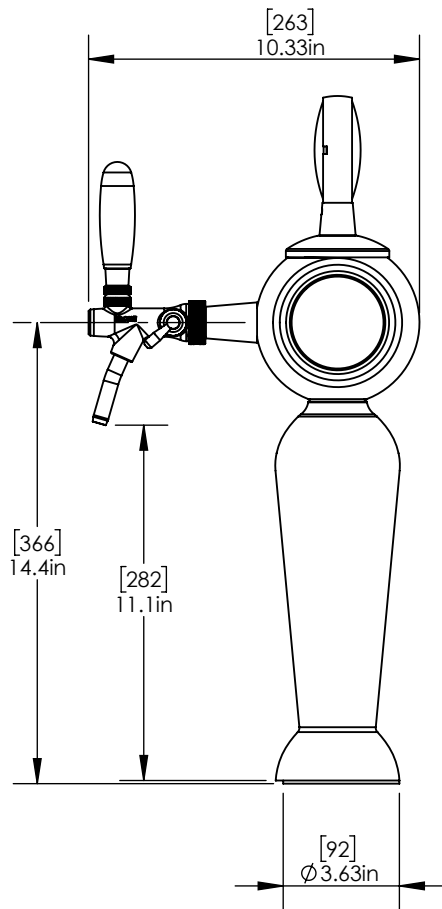
Specifications:-

Part No	Faucet	Finish	Cooling System
C1546	1	Polished Copper	Glycol Recirculation Loop+
C1545	1	Vibrant Gold Finish	Glycol Recirculation Loop+
C1544	1	Polished Chrome	Glycol Recirculation Loop+

Product Dimensions:-



Front View



Side View