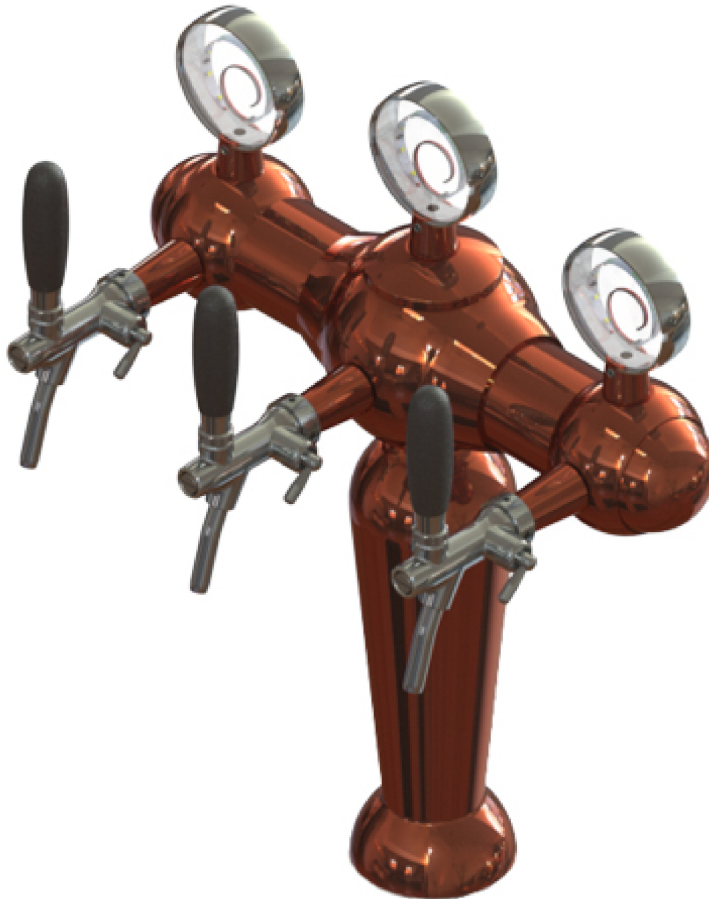


- Made of High Quality Brass for Durability & Reliability
- Stainless Steel Glycol Recirculation Loop+ Tube for Optimum Cooling Transfer
- Modern Look with Polished Copper Finish
- Take your pouring to bold new heights
- Precision Flow Control Taps Included
- 220 V Transformer included



C1536

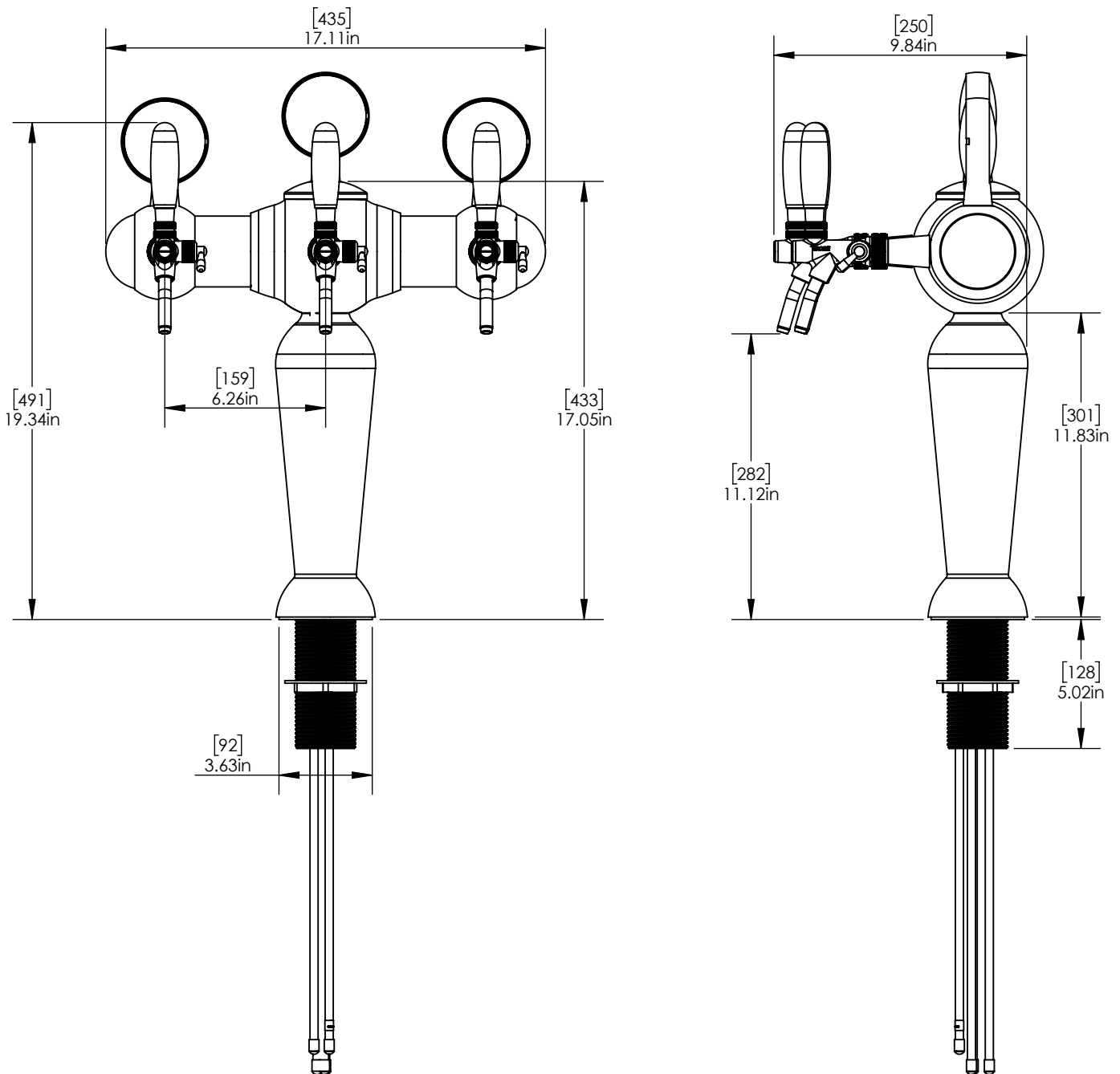
Polished Copper



Specifications:-

Part No	Faucets	Finish	Cooling System
C1536	3	Polished Copper	Glycol Recirculation Loop+
C1534	3	Polished Chrome	Glycol Recirculation Loop+

Product Dimensions:-



Copyright © 2017 Krome Dispense. All Rights Reserved Revision # 1 - -

US & Canada :- +1-678 666 2001

Asia:- +91-9814203010

Krome Dispense reserves the right to make revisions to product specifications without any notice

For most updated specification sheet , go to www.kromedispense.com

