

- Made of High Quality Brass for Durability & Reliability
- Stainless Steel Glycol Recirculation Loop Tube for Optimum Cooling Transfer
- Modern Look with Polished Copper Finish
- Take your pouring to bold new heights
- Precision Flow Control Taps Included
- 220 V Transformer included



C1518

PVD Gold



US & Canada :- +1-678 666 2001  
Asia:- +91-9814203010

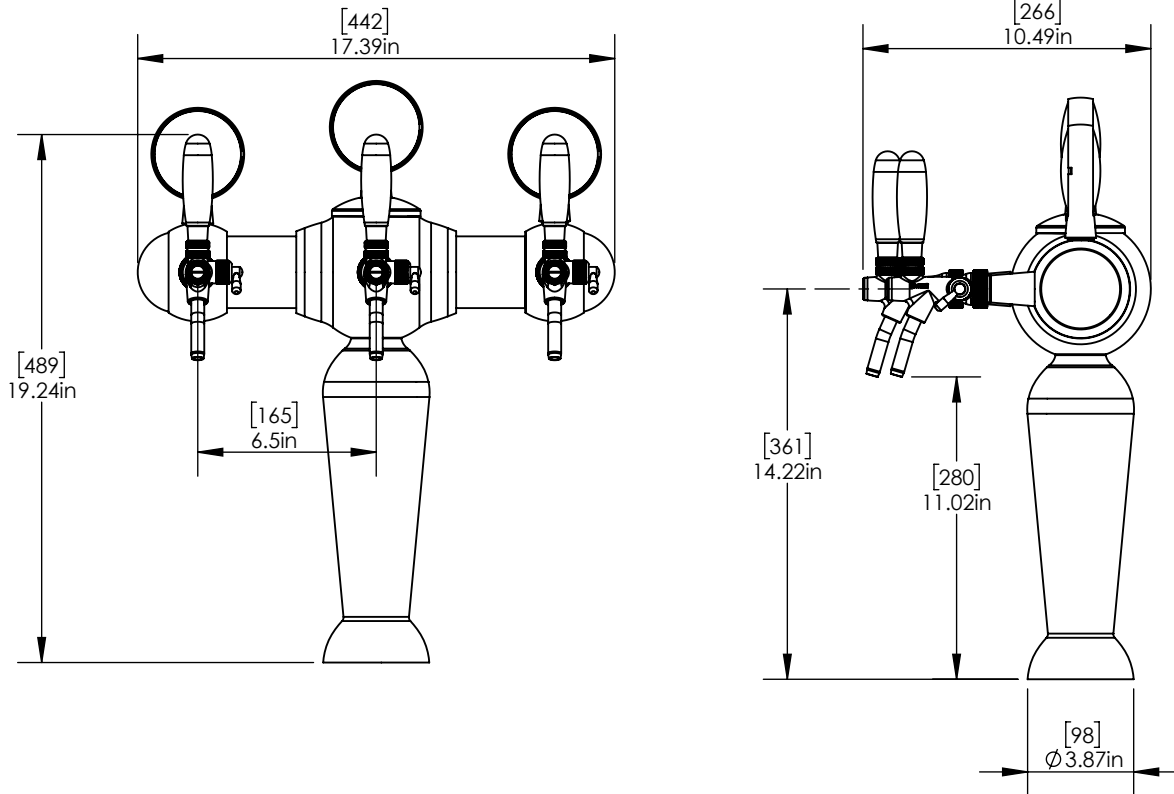
Krome Dispense reserves the right to make revisions to product specifications without any notice  
For most updated specification sheet , go to [www.kromedispense.com](http://www.kromedispense.com)

## Specifications:-

| Part No | Faucets | Finish              | Cooling System             |
|---------|---------|---------------------|----------------------------|
| C1518   | 3       | Vibrant Gold Finish | Glycol Recirculation Loop  |
| C1534   | 3       | Polished Chrome     | Glycol Recirculation Loop+ |
| C1536   | 3       | Polished Copper     | Glycol Recirculation Loop+ |
| C1548*  | 3       | Polished Chrome     | Glycol Recirculation Loop+ |

\*Customer Facing Illumination

## Product Dimensions:-



Revision # 1 - -  
Copyright © 2017 Krome Dispense. All Rights Reserved

US & Canada :- +1-678 666 2001  
Asia:- +91-9814203010

Krome Dispense reserves the right to make revisions to product specifications without any notice  
For most updated specification sheet , go to [www.kromedispense.com](http://www.kromedispense.com)

