

- Made of High Quality Stainless Steel for Durability & Reliability
- 100% Stainless Steel Contact with Beer to Serve Better Tasting
- Stainless Steel Glycol Recirculation Loop Tube for Optimum Cooling Transfer
- Modern Look with SS Brushed Finish
- Precision Flow Control Taps Included



C1379

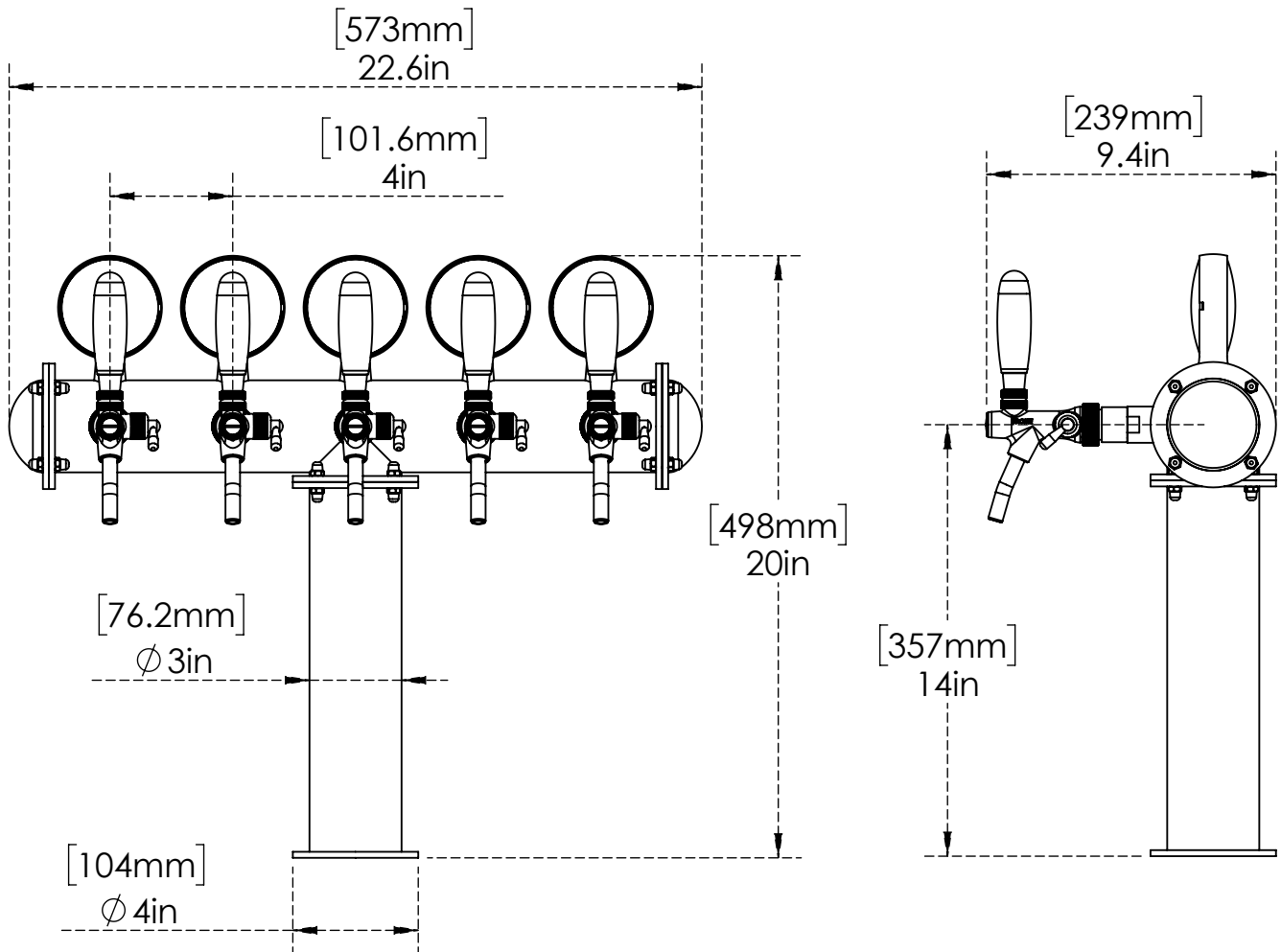
SS Brushed



Specifications:-

Part No	Faucets	Finish	Cooling System
C1380	5	Brushed Copper	Glycol Recirculation Loop
C1391	5	Polished Copper	Glycol Recirculation Loop
C1379	5	SS Brushed	Glycol Recirculation Loop

Product Dimensions:-



Revision # 01 - -

Copyright © 2017 Krome Dispense. All Rights Reserved

US & Canada :- +1-678 666 2001
 Asia:- +91-9814203010

Krome Dispense reserves the right to make revisions to product specifications without any notice
 For most updated specification sheet , go to www.kromedispense.com

