

- Made of High Quality Stainless Steel for Durability & Reliability
- 100% Stainless Steel Contact with Beer to Serve Better Tasting
- Stainless Steel Glycol Recirculation Loop+ Tube for Optimum Cooling Transfer
- Modern Look with Polished Copper Finish
- Precision Flow Control Taps Included



C1184

Polished Copper

Revision # 1 - -
Copyright © 2017 Krome Dispense. All Rights Reserved



US & Canada :- +1-678 666 2001

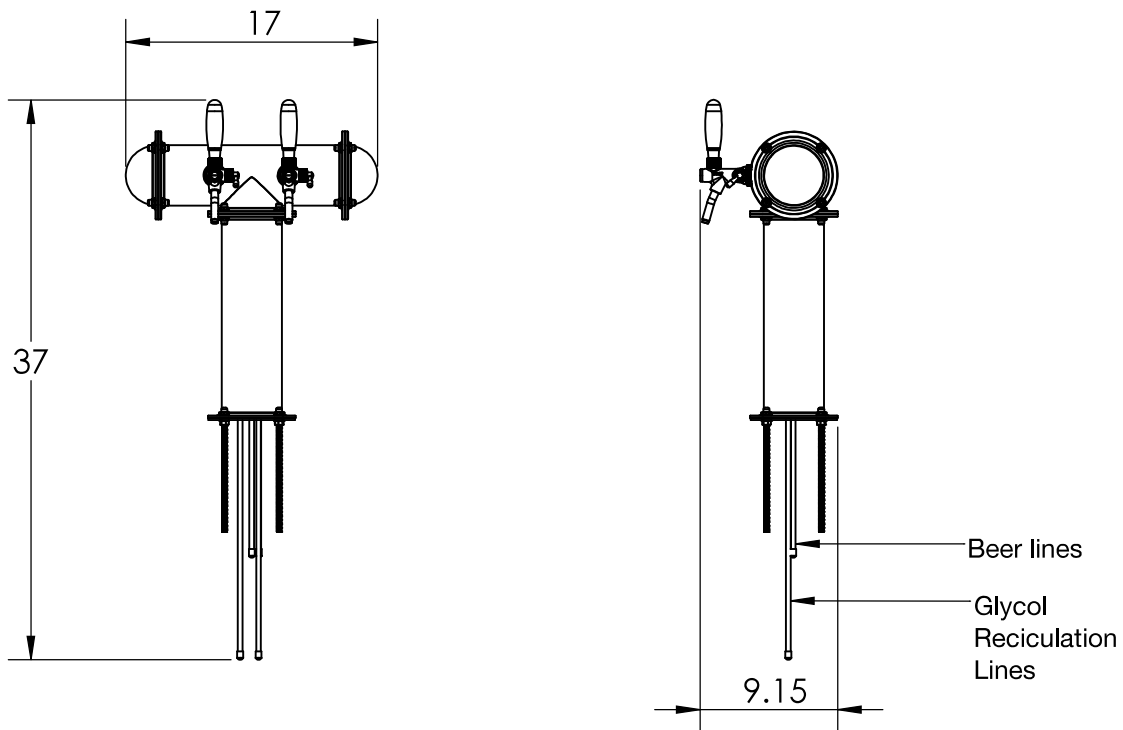
Asia:- +91-9814203010

Krome Dispense reserves the right to make revisions to product specifications without any notice
For most updated specification sheet , go to www.kromedispense.com

Specification:-

Part No	Faucets	Finish	Cooling System
C1184	2	Polished Copper	Glycol Recirculation Loop+
C1183	2	SS Polished	Glycol Recirculation Loop+
C1185	2	Brushed Copper	Glycol Recirculation Loop+
C1186	2	Brushed Stainless	Glycol Recirculation Loop+

Product Dimensions:-



Revision # 1 - -

Copyright © 2017 Krome Dispense. All Rights Reserved

US & Canada :- +1-678 666 2001

Asia:- +91-9814203010

Krome Dispense reserves the right to make revisions to product specifications without any notice
For most updated specification sheet , go to www.kromedispense.com

