

- Made of High Quality Stainless Steel for Durability & Reliability
- 100% Stainless Steel Contact with Beer to Serve Better Tasting
- Stainless Steel Glycol Recirculation Loop+ Tube for Optimum Cooling Transfer
- Modern Look with SS Polished Finish
- Precision Flow Control Taps Included



C1183

SS Polished



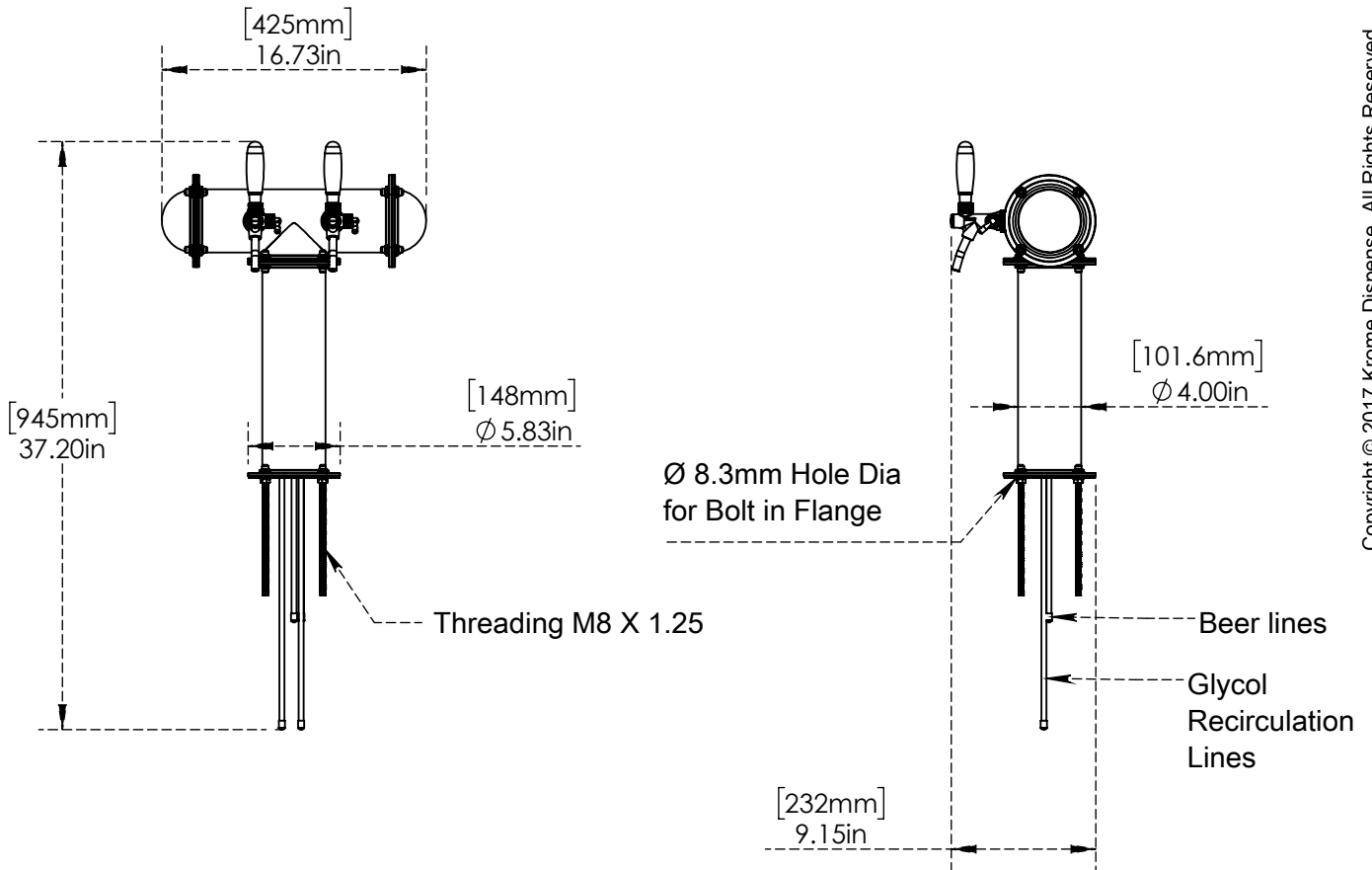
US & Canada :- +1-678 666 2001  
Asia:- +91-9814203010

Krome Dispense reserves the right to make revisions to product specifications without any notice  
For most updated specification sheet , go to [www.kromedispense.com](http://www.kromedispense.com)

## Specifications:-

Part No	Faucets	Finish	Cooling System
C1183	2	SS Polished	Glycol Recirculation Loop+
C1184	2	Polished Copper	Glycol Recirculation Loop+
C1185	2	Brushed Copper	Glycol Recirculation Loop+
C1186	2	Brushed Stainless	Glycol Recirculation Loop+

## Product Dimensions:-



Revision # 01 - 19/02/2018-KS

Copyright © 2017 Krome Dispense. All Rights Reserved

US & Canada :- +1-678 666 2001  
 Asia:- +91-9814203010

Krome Dispense reserves the right to make revisions to product specifications without any notice  
 For most updated specification sheet , go to [www.kromedispense.com](http://www.kromedispense.com)

