

Beer Towers

Economy 3" T Tower with 4 Flow Control Taps & Illumination- SS Polished- Glycol Recirculation Loop

C1384

- Made of High Quality Stainless Steel for Durability & Reliability
- 100% Stainless Steel Contact with Beer to Serve Better Tasting
- Stainless Steel Glycol Recirculation Loop Tube for Optimum Cooling Transfer
- Modern Look with SS Polished Finish
- Precision Flow Control Taps Included



C1384

SS Polished



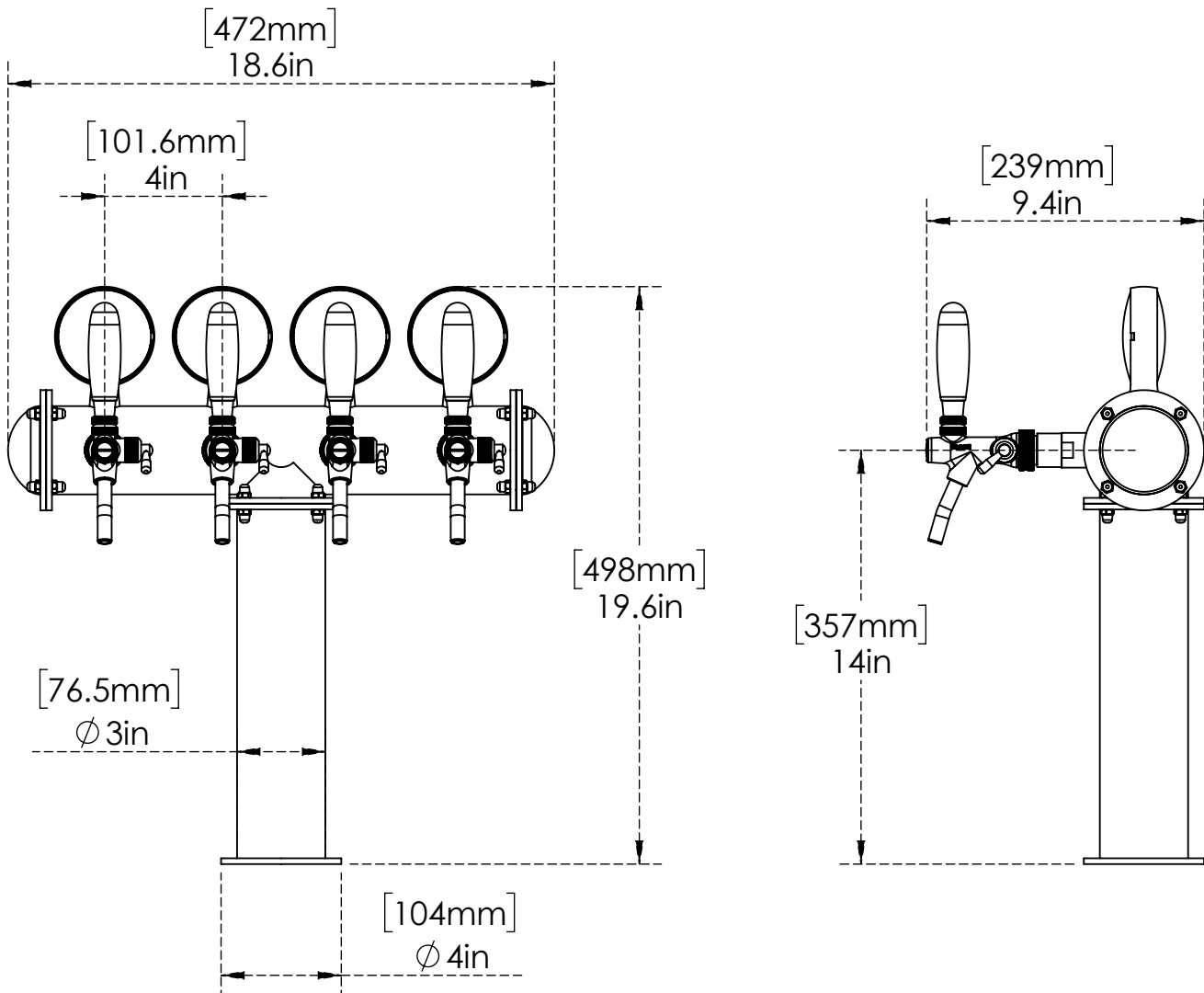
US & Canada :- +1-678 666 2001
Asia:- +91-9814203010

Krome Dispense reserves the right to make revisions to product specifications without any notice
For most updated specification sheet , go to www.kromedispense.com

Specifications:-

Part No	Faucets	Finish	Cooling System
C1387	4	Polished Copper	Glycol Recirculation Loop
C1388	4	PVD	Glycol Recirculation Loop
C1384	4	SS Polished	Glycol Recirculation Loop
C1377	4	Brushed Copper	Glycol Recirculation Loop

Product Dimensions:-



Revision # 01 - 31/01/2020-Ashish

Copyright © 2017 Krome Dispense. All Rights Reserved

US & Canada :- +1-678 666 2001
 Asia:- +91-9814203010

Krome Dispense reserves the right to make revisions to product specifications without any notice
 For most updated specification sheet , go to www.kromedispense.com

