

**Features & Benefits:**

- Three Flow Control Tap.
- Made of High Quality Stainless Steel for Durability & Reliability.
- Stainless Steel Glycol Recirculation Loop Tube for Optimum Cooling Transfer.
- Modern Look with Polished Stainless Steel Finish.
- Take your pouring to bold new heights.
- Precision Flow Control Taps Included.

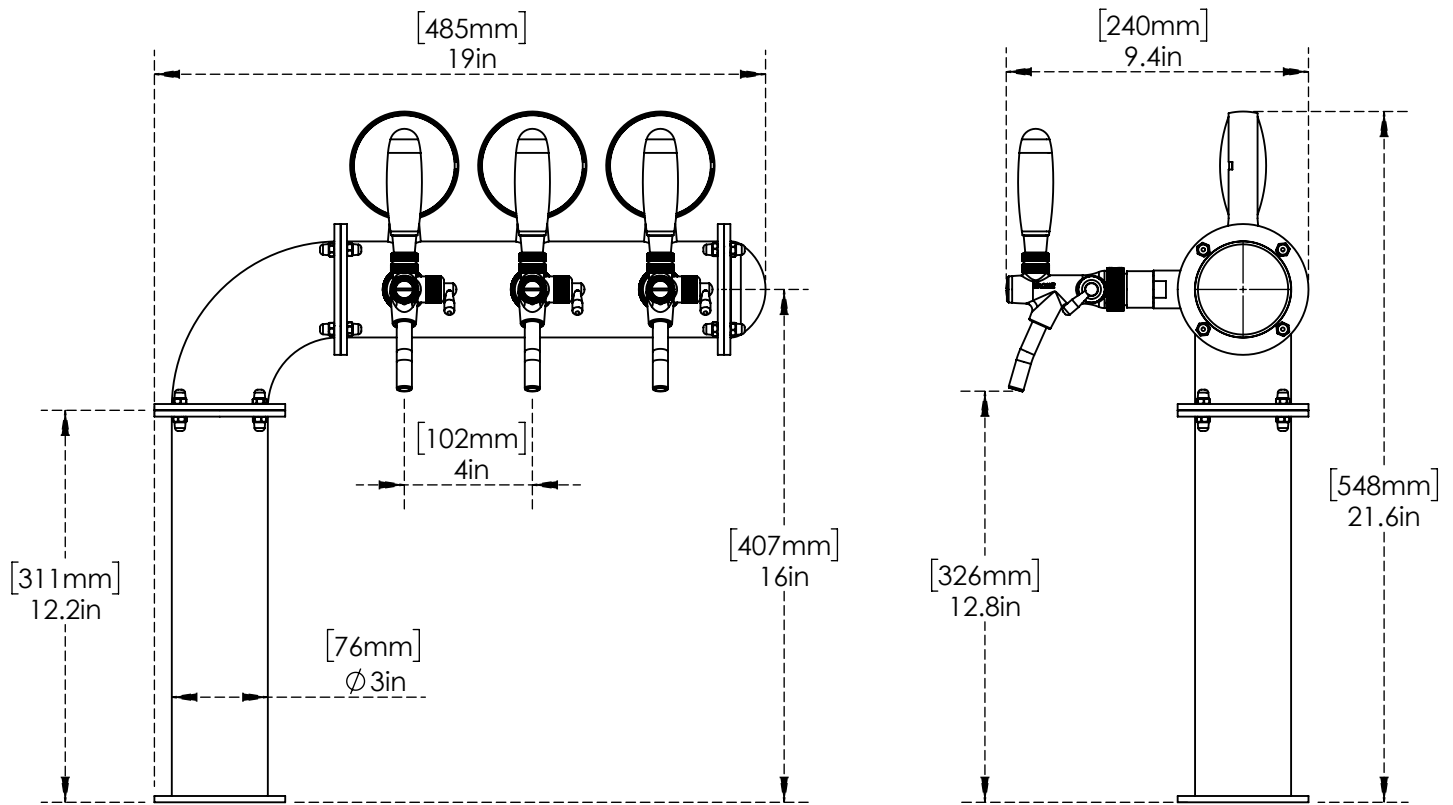


**C1352**

SS Polished

**Warranty: One Year (Limited)**

## Product Dimensions:-



## Options Available

Part No.	Taps	Finish	Size	Cooling Technology
C1352	3	SS Polished	3"	Glycol Recirculation Loop
C1353	3	Brushed SS	3"	Glycol Recirculation Loop
C1354	3	PVD	3"	Glycol Recirculation Loop
C1355	3	Polished Copper	3"	Glycol Recirculation Loop
C1473	3	Brushed Copper	3"	Glycol Recirculation Loop

US & Canada :- +1-678 666 2001

Asia:- +91-9814203010

Krome Dispense reserves the right to make revisions to product specifications without any notice

For most updated specification sheet , go to [www.kromedispense.com](http://www.kromedispense.com)

